

Features

- The glass shade detail is reminiscent of vintage holophane glass
- A perfect piece for any farmhouse- or industrial-style space — kitchen, master bathroom, guest bathroom, hallway, or mudroom
- Medium base (E26) socket, works best with type A or G light bulbs (sold separately)
- Suitable for damp locations, per UL 1598

Material

- Manufactured with quality materials and complemented with a meticulous finishing process
- Durable finishes engineered to last and designed to coordinate with KOHLER faucet finishes



Codes/Standards

UL 1598
CSA C22.2 No. 250.0

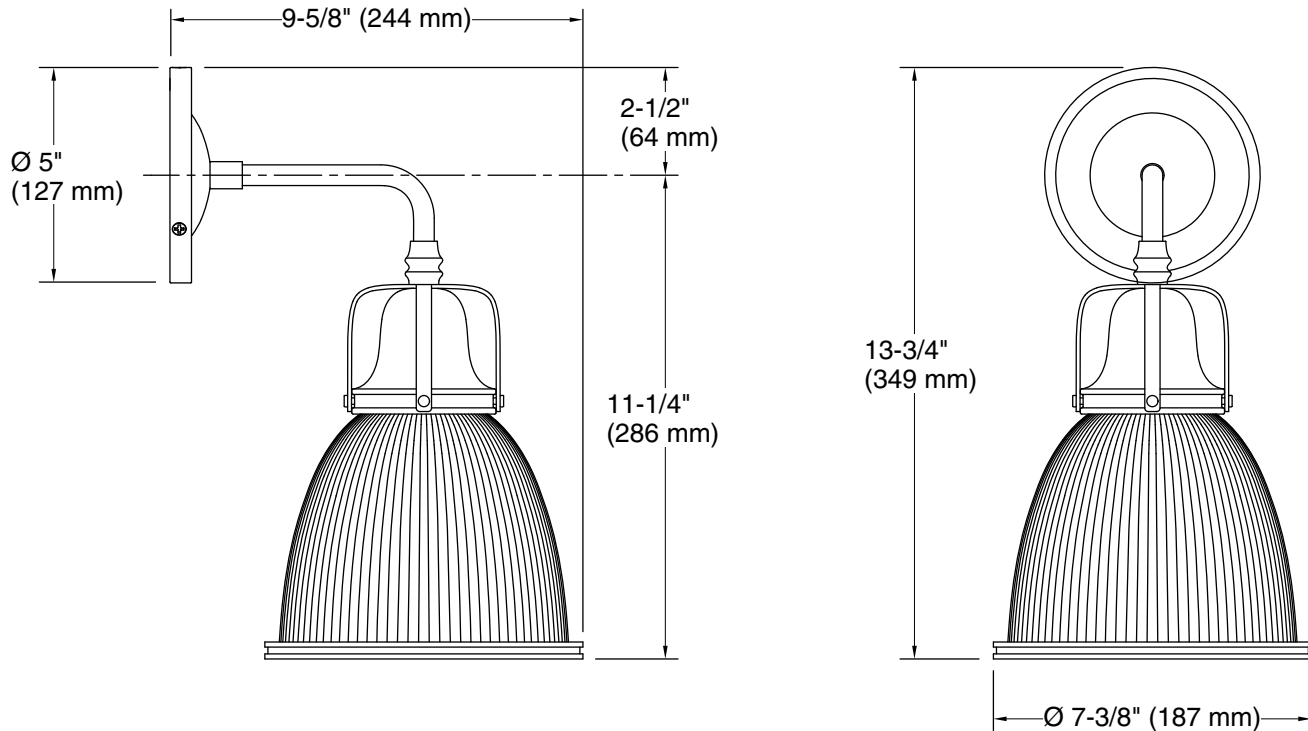
KOHLER® Indoor Lighting Fixtures Limited Warranty

See website for detailed warranty information.

Available Colors/Finishes

Color tiles intended for reference only.

Color	Code	Description
	SNL	Polished Nickel
	BNL	Brushed Nickel
	CPL	Polished Chrome
	BLL	Matte Black
	2GL	Brushed Moderne Brass



Required Electrical Service

One dedicated circuit required.

Lights: 120 V, 0.833 A, 60 Hz

Technical Information

All product dimensions are nominal.

Material: Steel, Aluminum, Glass

Number of Lights: 1

Lighting Type: Socket-based

Socket Type: E-26 Medium

Number of Shades: 1

Shade Type: Glass - frosted

Hanging Type: Non-hanging

Electrical component Socket Rating: 60 Hz, 100 W
rating: