

CODE NUMBER

3010081

DESCRIPTION

1.28 gpf, Polished Chrome Finish, 1.5" Flush Connection, Fixture Connection Top Spud, Single Flush, 1" Inlet, 1" Control Stop, True Mechanical Override, Battery, Infrared, Royal® Exposed Sensor Specialty Water Closet Reclaimed Water Flushometer.

DETAILS

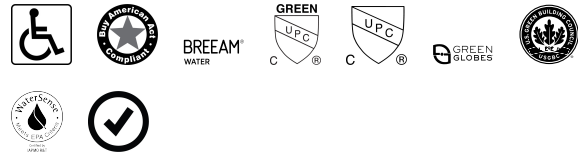
- Flush Volume: 1.28 gpf (4.8 Lpf)
- Finish: Polished Chrome (CP)
- Power Type: Battery
- Battery Life: 3 years
- Valve: Diaphragm
- Valve Body Material: Semi-red Brass
- Fixture Type: Water Closet
- Fixture Connection: Top Spud
- Rough-In Dimension: 11 ½" (292mm)
- Spud Coupling: 1 ½" (38mm)
- Supply Pipe: 1" (25mm)
- Override: True Mechanical (TMO)
- Control Stop: 1"
- Inlet: 1"
- Flush Connection: 1.5"

FEATURES

- True Mechanical Override Flush Button
- Four (4) size C batteries included
- "Low Battery" Flashing LED
- "User in View" Flashing LED
- 72-Hour Sentinel Flush
- Sweat solder adapter with cover tube and cast wall flange with set screw
- No External Volume Adjustment to Ensure Water Conservation
- Includes adhesive backed metal wallplate with non-potable water warning
- Features purple wall flange, diaphragm guide, bonnet and inner cover to communicate reclaimed water use
- Infrared Sensor with Multiple-focused, Lobular Sensing Fields for high and low target detection
- 1" I.P.S. Screwdriver Bak-Chek® Angle Stop with Free Spinning Vandal Resistant Stop Cap
- Diaphragm, Stop Seat and Vacuum Breaker to be molded from PERMEX® rubber compound for Chloramine resistance



COMPLIANCES & CERTIFICATIONS



(ADA Compliant, BAA Compliant, BREEAM Water Credit, cUPC Green Certified, cUPC Certified, Green Globes Water Credit, LEED V4 Water Efficiency Credit, WaterSense Listed, Satisfies LEED Credits)

RECOMMENDED SPECIFICATION

Valve Body, Cover, Tailpiece and Control Stop shall be in conformance with ASTM Alloy Classification for Semi- Red Brass. Valve shall be in compliance with the applicable sections of ASSE 1037 and ANSI/ASME 112.19.2.

ELECTRICAL SPECIFICATIONS

- Battery Life: 3 years
- Flush Delay: 3s
- Sensor Range: 22" - 42" (559 - 1,067mm)

VALVE OPERATING PRESSURE (FLOWING)

15-80 PSI (103-552 kPa). Specific fixtures may require greater minimum flowing pressure - consult manufacturer requirements.

DOWNLOADS

- [Royal Reclaimed Water Flushometer Installation Instructions](#)
- [EBV-500/550-A Installation Instructions](#)
- [Control Stop Repair and Maintenance Guide](#)
- [Flush Connections Flanges Repair and Maintenance Guide](#)
- [Tail Piece Repair and Maintenance Guide](#)
- [Reclaimed Water Flushometers Repair and Maintenance Guide](#)
- [EBV500/EBV550 Repair and Maintenance Guide](#)
- [Additional Downloads](#)

NOTES

All information contained within this document subject to change without notice.

Sloan 10500 Seymour Ave, Franklin Park, IL 60131

Phone: 800.982.5839 • Fax: 800.447.8329 • sloan.com

Looking for other variations of the ROYAL 111 RW SFSM product? [View the general spec sheet with all options.](#)

[Find a compatible urinal](#) for this flushometer.

[Find a compatible water closet](#) for this flushometer.

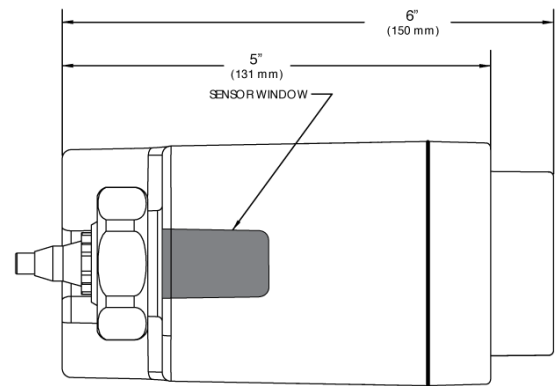
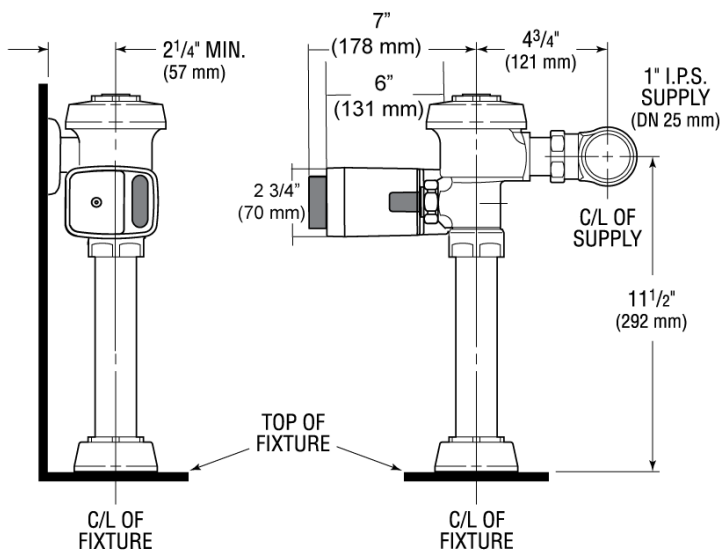
WaterSense compliant when used with a WaterSense compliant fixture

Battery life varies according to actual usage and restroom conditions.

WARRANTY

[View Warranty Information](#)

ROUGH-IN



Sloan 10500 Seymour Ave, Franklin Park, IL 60131

Phone: 800.982.5839 • Fax: 800.447.8329 • sloan.com