



4675 W. 160th St.
Cleveland, Ohio 44135
Ph: (800) 321-9532
Fax: (800) 321-9535
www.dearbornbrass.com

SUBMITTAL SPECIFICATION

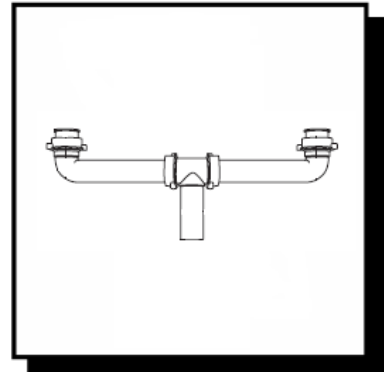
**PLASTIC TUBULAR
CENTER OUTLET WASTE WITH BAFFLE TEE &
HI-LINE/SLIP JOINT COMBINATION**

Engineering Specification: Dearborn Brass Plastic Tubular Center Outlet Waste with Baffle Tee and Hi-Line or Slip Joint Combination is designed for use in tubular drain applications. Options include 16" or 21" length and True Blue Premium Washers for superior sealing. Available in white or black polypropylene plastic.

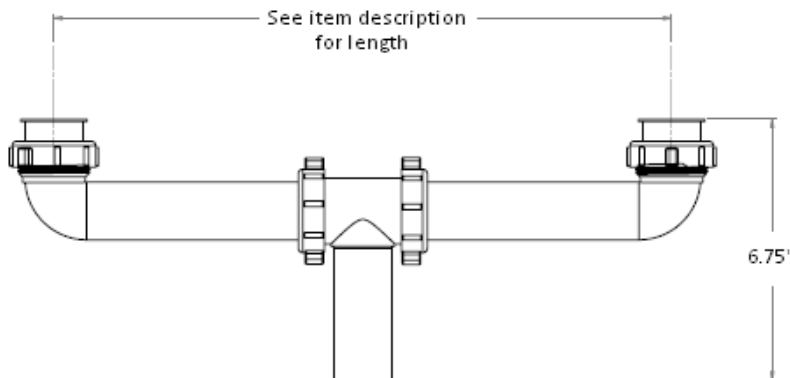
Job Reference

DESCRIPTION

- Made of polypropylene plastic
- Plastic Tubular Center Outlet Waste
 - Tailpiece Tee
 - (2) Waste Arms
 - (2) Hi-Line Nipples
 - (4) Slip Nuts
 - (4) Washers
- Can be used with Hi-Line or Slip Joint Connection



- Meets ASTM F 409
- IAPMO Listed



Product No.	Description	Carton Quantity	Carton Weight (lbs)
P9123A	1-½" x 16" Center to Center, Hi-Line/Slip Joint Combination with Baffle Tee – White	25	14.8
A9123A	1-½" x 16" Center to Center, Hi-Line/Slip Joint Combination with Baffle Tee – Black	25	19
P9123AW	1-½" x 16" Center to Center, Hi-Line/Slip Joint Combination with Baffle Tee and True Blue Premium Washers – White	25	14.8
A9123AWB	1-½" x 16" Center to Center, Hi-Line/Slip Joint Combination with Baffle Tee and True Blue Premium Washers – White - Bagged	25	14.8
P9123ABG	1-½" x 16" Center to Center, Hi-Line/Slip Joint Combination with Baffle Tee – White – Bagged	25	14.8
P9123B	1-½" x 21" Center to Center, Hi-Line/Slip Joint Combination with Baffle Tee – White	25	18
A9123AW	1-½" X 16" Center to Center, Hi-Line/ Slip Joint Combination With Baffel Tee – Bagged w/ True Blue Washer	25	

Data is subject to manufacturing tolerances.