



# Tend®

Washout half-stall 0.125 gpf touchless urinal, rear spud  
K-28082-1DC

## Features

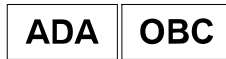
- Washout urinal
- 1/2" -14 NPT rear spud inlet connection
- Battery-operated touchless electronic flush valve powered by two AA alkaline batteries (included)
- Delivers dependable water-saving performance and added hygiene
- 0.125 gpf (0.47 lpf)
- 14-7/8" (378 mm) extended lip
- Extended lip helps keep floor cleaner
- Back wall design provides superior splash containment
- Smooth contours make cleaning fixture fast and easy
- Includes tank cover and tank cover locks
- This product can help a building earn Water Efficiency points in LEED® Green Building Rating System

## Material

- Vitreous china

## Installation

- Wall-mount
- Trapway secures urinal to wall, eliminating bolts for a faster installation

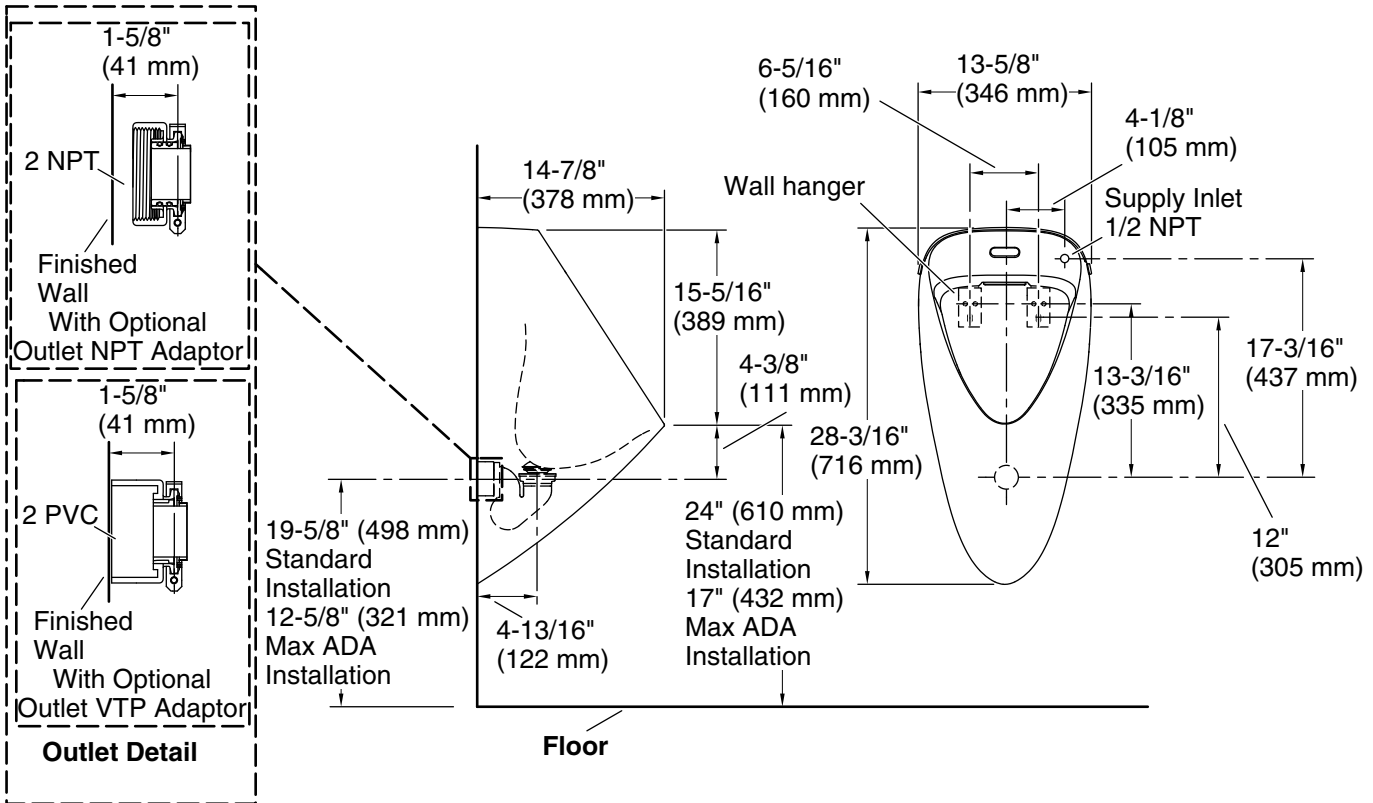


## Codes/Standards

ASME A112.19.2/CSA B45.1  
DOE - Energy Policy Act 1992  
EPA WaterSense®  
California Energy Commission (CEC)  
ADA  
ICC/ANSI A117.1  
OBC

## KOHLER® One-Year Limited Warranty

See website for detailed warranty information.



## Technical Information

All product dimensions are nominal.

|                       |                     |
|-----------------------|---------------------|
| Flush Type:           | Washout             |
| Spud size:            | 1/2", Inlet, Rear   |
| Spud size:            | 2", Outlet, Rear    |
| Min. Water per Flush: | 0.125 gpf (0.5 lpf) |
| Max. Water per Flush: | 0.125 gpf (0.5 lpf) |

Designed for the above water use when installed with a water-saving flushometer.

## Pressure and Supply Requirements

|                                |                    |
|--------------------------------|--------------------|
| Fixture flow rate min:         | 1.1 gpm (4.2 lpm)  |
| Fixture pressure max (static): | 80 psi (551.6 kPa) |

## Notes

Install this product according to the installation instructions.

Product dimensions are nominal and may vary per ASME A112.19.2 tolerances.

ADA, OBC compliant when installed to the specific requirements of these regulations.