

# Royal® Model Flushometer

## Description

Exposed Water Closet Flushometer, for floor mounted or wall hung top spud bowls.

## Flush Cycle

- Model 115-1.6 Low Consumption (1.6 gpf/6.0 Lpf)
- Model 115 Water Saver (3.5 gpf/13.2 Lpf)

## Specifications

Quiet, Exposed, Diaphragm Type, Chrome Plated Closet Flushometer with the following features:

- PERMEX® Synthetic Rubber Diaphragm with Dual Filtered Fixed Bypass
- ADA Compliant Metal Oscillating Non-Hold-Open Handle with Triple Seal Handle Packing
- 1" I.P.S. Screwdriver Bak-Chek® Angle Stop with Free Spinning Vandal Resistant Stop Cap
- Adjustable Tailpiece
- High Back Pressure vacuum breaker flush connection w/ one-piece bottom hex coupling nut
- Spud Coupling and Flange for 1-1/2" Top Spud
- Sweat Solder Adapter w/Cover Tube & Cast Wall Flange w/Set Screw
- High Copper, Low Zinc Brass Castings for Dezincification Resistance
- Non-Hold-Open Handle, Fixed Metering Bypass and No External Volume Adjustment to Ensure Water Conservation
- Flush Accuracy Controlled by CID Technology
- Diaphragm, Handle Packing, Stop Seat and Vacuum Breaker molded from PERMEX® Rubber Compound for Chloramine Resistance

Valve Body, Cover, Tailpiece and Control Stop shall be in conformance with ASTM Alloy Classification for Semi-Red Brass. Valve shall be in compliance to the applicable sections of ASSE 1037.

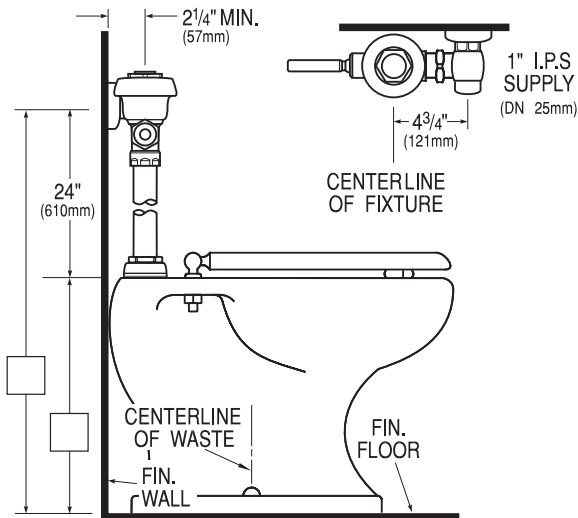
## Variations

- 0** Offset Vacuum Breaker, Specify: 1" - 1½" - 2"
- V** 1" Flush Connection
- TP** Trap Primer
- YI** Two Wall Bumpers (for open front seat without cover)
- YJ** Split Ring Pipe Support
- YK** Solid Ring Pipe Support
- XYV** Valve Less Vacuum Breaker
- SG** SaniGuard® Antimicrobial Coating Protects Handle\*

\* SaniGuard does not protect users or others against disease-causing bacteria.

## Accessories

See Accessories Section of the Sloan catalog for details on these and other Flushometer variations.



This space for Architect/Engineer approval

Job Name \_\_\_\_\_ Date \_\_\_\_\_

Model Specified \_\_\_\_\_ Quantity \_\_\_\_\_

Variations Specified \_\_\_\_\_

Customer/Wholesaler \_\_\_\_\_

Contractor \_\_\_\_\_

Architect \_\_\_\_\_

The information contained in this document is subject to change without notice.



SLOAN • 10500 SEYMOUR AVENUE • FRANKLIN PARK, IL 60131  
Ph: 1-800-982-5839 • Fax: 1-800-447-8329 • www.sloanvalve.com