

# STERLING®

A KOHLER COMPANY

## Features

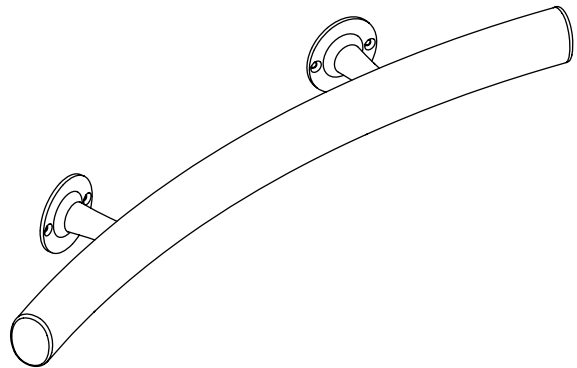
- Anodized aluminum construction
- Finish matched to other Kohler and Sterling products
- Includes installation hardware
- Installs from the front side of the wall
- Variable bracket spacing allows for flexible installation
- 10-year consumer/3-year commercial limited warranty
- Curved aesthetic complements Sterling Vikrell shower back walls

## Codes/Standards Applicable

Specified model meets or exceeds the following:

- ASME A112.18.1/CSA B125.1
- ASTM F446

**GRAB BAR**  
**80012031**  
**ALSO 80012134, 80012222**



## Colors/Finishes

- V: Matte Silver
- N: Nickel

## Specified Model

Model	Description	Colors/Finishes	
80012031	31" (78.7 cm) grab bar – curved	<input type="checkbox"/> V	<input type="checkbox"/> N
80012134	34" (86.4 cm) grab bar – curved	<input type="checkbox"/> V	<input type="checkbox"/> N
80012222	22" (55.9 cm) grab bar – curved	<input type="checkbox"/> V	<input type="checkbox"/> N

Recommended Walls	
Series 7115	Accord® back wall models for 80012134
Series 7116	Accord back wall models for 80012134
Series 7226	Accord back wall models for 80012031
Series 7227	Accord back wall models for 80012031
Series 7228	Accord back wall models for 80012222
Series 7229	Accord back wall models for 80012134

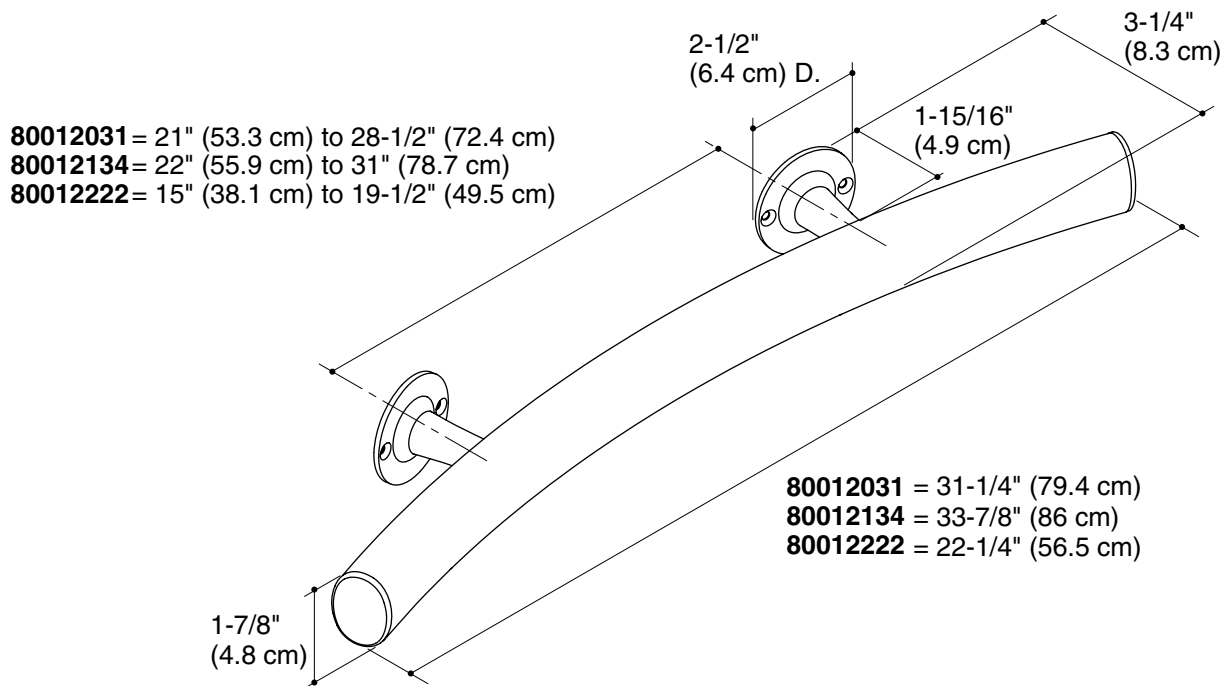
## Installation Notes

Install this product according to the installation guide.



**WARNING: Risk of personal injury.** The wall plates on the grab bar must be mounted to a brace between the wall studs. Doing so will ensure that the weight of the user is adequately supported.

The appearance of the product may differ from the product diagram. The dimensions still apply.



## Product Diagram