

ADJUSTABLE FLOOR DRAIN WITH DECK FLANGE

» 822 SERIES

Halo™

ITEM # SUBMITTED	_____
JOB NAME	_____
LOCATION	_____
ENGINEER	_____
CONTRACTOR	_____
PO#	_____ TAG _____

SPECIFICATION

Sioux Chief 822 series adjustable floor drain shall be used where necessary in drainage systems. Floor drain shall have an 18 gauge stainless steel deck/mounting flange and ABS/PVC body with Sch. 40 hub connection. Floor drain shall allow adjustment of 3/4" above the deck flange. Strainer shall be heel-proof and meet applicable load requirements for intended use. Trap primer port shall be threaded 1/2" FIP for optional connection. Designed in accordance with ASME A112.6.3-2001.

MATERIALS

Ring/strainer: nickel-bronze, 301 stainless steel, 430 stainless steel

Head adapter: ABS

Deck flange: 18-gauge 430 stainless

Base adapter: ABS, PVC

STRAINER LOAD RATING

Nickel-bronze: 1,000 lbs. (light duty, pedestrian traffic)

Stainless steel: 2,000 lbs. (light duty, pedestrian traffic)

18GA Stainless steel: 500 lbs. (light duty, pedestrian traffic)

STRAINER FREE AREA

Round: 7.5 in² (22.75 GPM*)

Square: 12.75 in² (39 GPM*)

18GA: 5.75 in² (17.5 GPM*)

DIMENSIONS

A:	Connection size**	2"×3" or 3"×4" Sch. 40 hub
B:	Ring/strainer diameter	
	round / square / 18GA	5 1/2" / 5 7/8" / 5 3/8"
C:	Flange diameter	9 1/2"
D:	Body diameter	5 7/8"
E:	Body height	4 3/8"
F:	Adjustable finish height***	
	round / square / 18GA	0" - 3/4" / 5/16" - 3/4" / 0" - 1/2"

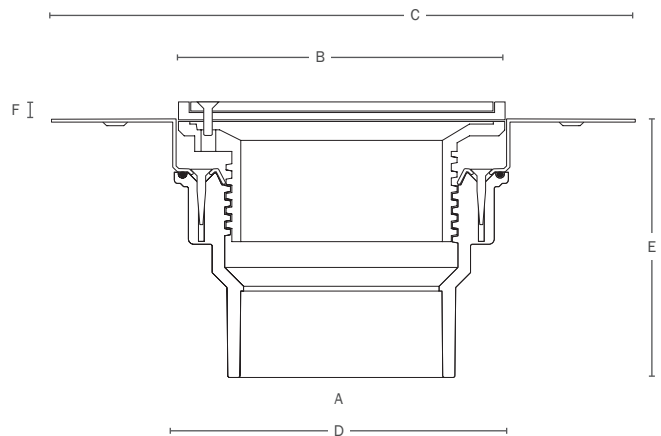
* indicates the flow rate of the strainer (not necessarily of the fixture) at 1/2" head

** Base adapters fit over 2" / inside 3" or over 3" / inside 4" pipe.

*** When using optional clamping collar, min dimension is 1/2" for cast ring/strainers



822-3PSQ



Create Item Number

822-ABCD

e.g. **822-3PNRV:** 3" Sch. 40 hub adjustable floor drain with deck flange and round nickel-bronze strainer with vandal-resistant screws

A: CLAMPING COLLAR

(skip this option if collar is not needed)

M = Clamping collar kit

(No collar is standard, unless otherwise specified)

B: CONNECTION

2A = 2" ABS Sch. 40 hub

2P = 2" PVC Sch. 40 hub

3A = 3" ABS Sch. 40 hub

3P = 3" PVC Sch. 40 hub

C: STRAINER TYPE

NR = Round nickel-bronze

SR = Round stainless steel

NQ = Square nickel-bronze

SQ = Square stainless steel

S = 18 gauge stainless steel¹

D: OPTIONS

V = Vandal-resistant strainer screws

B = Complied with Buy American Act²

E = 1 1/4" extended strainer rim²

ACCESSORIES

822-EX3 Threaded extension adapter. Extends head 1 3/4" (min) to 3 3/8" (max) above deck flange

822-TB Threaded bushing. Glues over 3" Sch. 40 when using pipe for head extension.

863-FN Round nik-brz condensate funnel

863-FA Round aluminum condensate funnel

¹ Drain head creates plastic rim around strainer

² Available only for round nickel-bronze ring/strainer