

# DWV BACKWATER VALVE

» 869 SERIES

ProCheck™

## SPECIFICATION

Sioux Chief 869 series ProCheck backwater valves shall be used where necessary in drainage systems. Backwater valve shall be installed in horizontal drainage lines to reduce or prevent damage to dwelling from sewage backup. Backwater valve shall have a stepped design to provide adequate fall through the valve body and encourage flow. Flapper shall install into valve body via removable carrier, which utilizes key-to-slot fit to ensure proper alignment. Flapper shall have a permanent, one-piece sealing surface, and allow unrestricted, unidirectional flow. Valve body shall be sealed by an impact/solvent resistant lid with o-ring. Backwater valve shall be adaptable to either shallow or deep-bury installations. Designed in accordance with ASME A112.14.1-2003

## MATERIALS

**Valve Body:** ABS or PVC

**Sealing Lid:** Polypropylene with EPDM o-ring

**Flapper Carrier:** ABS

**Flapper:** Elastomer-overmolded polypropylene

**Extension Sleeve:** 8" SDR35 PVC pipe<sup>1</sup>

**Extension Sleeve Collar / Lid:** ABS<sup>1</sup>

## BACKFLOW PRESSURE

Withstands backflow up to 10 psi<sup>2</sup>

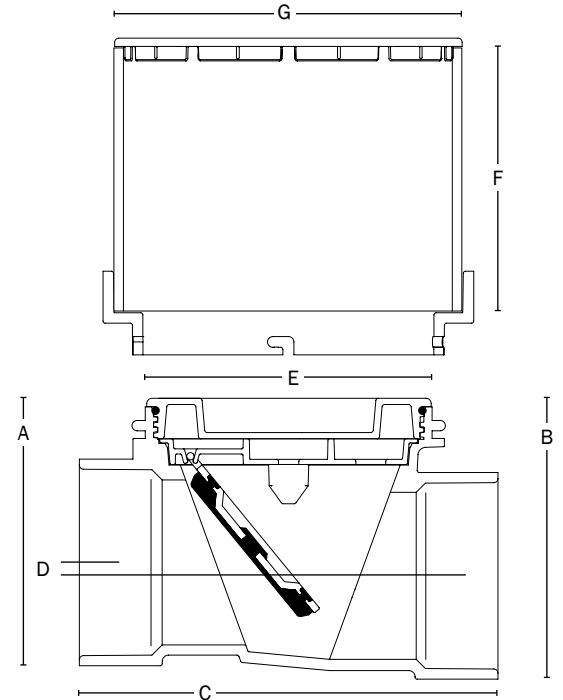
## DIMENSIONS

Connection	3" Sch. 40 hub	4" Sch. 40 hub
<b>A:</b> Overall height (in)	5-7/16"	6-9/16"
<b>B:</b> Overall height (out)	5-3/4"	6-7/8"
<b>C:</b> Overall width	8-1/2"	10-1/8"
<b>D:</b> Vertical offset	5/16"	
<b>E:</b> Sealing lid diameter	7-1/2"	
<b>F:</b> Sleeve height <sup>1</sup>	16"	
<b>G:</b> Sleeve lid diameter <sup>1</sup>	8-3/8"	

<sup>1</sup> Access sleeve is optional, and includes locking collar and lid

<sup>2</sup> Regular inspection of the flapper and sealing surfaces and general maintenance are required to ensure proper function of all backwater valves.

ITEM # SUBMITTED	_____
JOB NAME	_____
LOCATION	_____
ENGINEER	_____
CONTRACTOR	_____
PO#	_____ TAG _____



### Create Item Number

## 869-ABC

e.g. **869-S4PS:** ProCheck 4" PVC backwater valve with access sleeve kit

### CONNECTION SIZE A

**S3** = 3" Sch. 40 Hub

**S4** = 4" Sch. 40 Hub

### VALVE BODY B

**A** = ABS

**P** = PVC

### OPTIONAL ACCESS SLEEVE C

= No Access Sleeve (standard)

**S** = Access Sleeve kit<sup>2</sup>

### Accessories - Available Separately:

869-S4ADB: ABS deep-bury adapter kit

869-S4PDB: PVC deep-bury adapter kit

869-SSK: Shallow access sleeve kit<sup>2</sup>

<sup>2</sup> Includes PVC access sleeve, locking collar and sleeve lid