

### FEATURES

- Solid brass construction for durability and reliability
- Finished deck-mount or rim-mount installation only
- 1/2" quarter-turn washerless ceramic disc valves
- High-flow valving
- Eliminates the need for a transfer valve and transfer valve trim on the bath deck
- 11 gal/min (41.6 l/min) to 12 gal/min (45.4 l/min) flow rate at 45 psi (310.3 kPa)

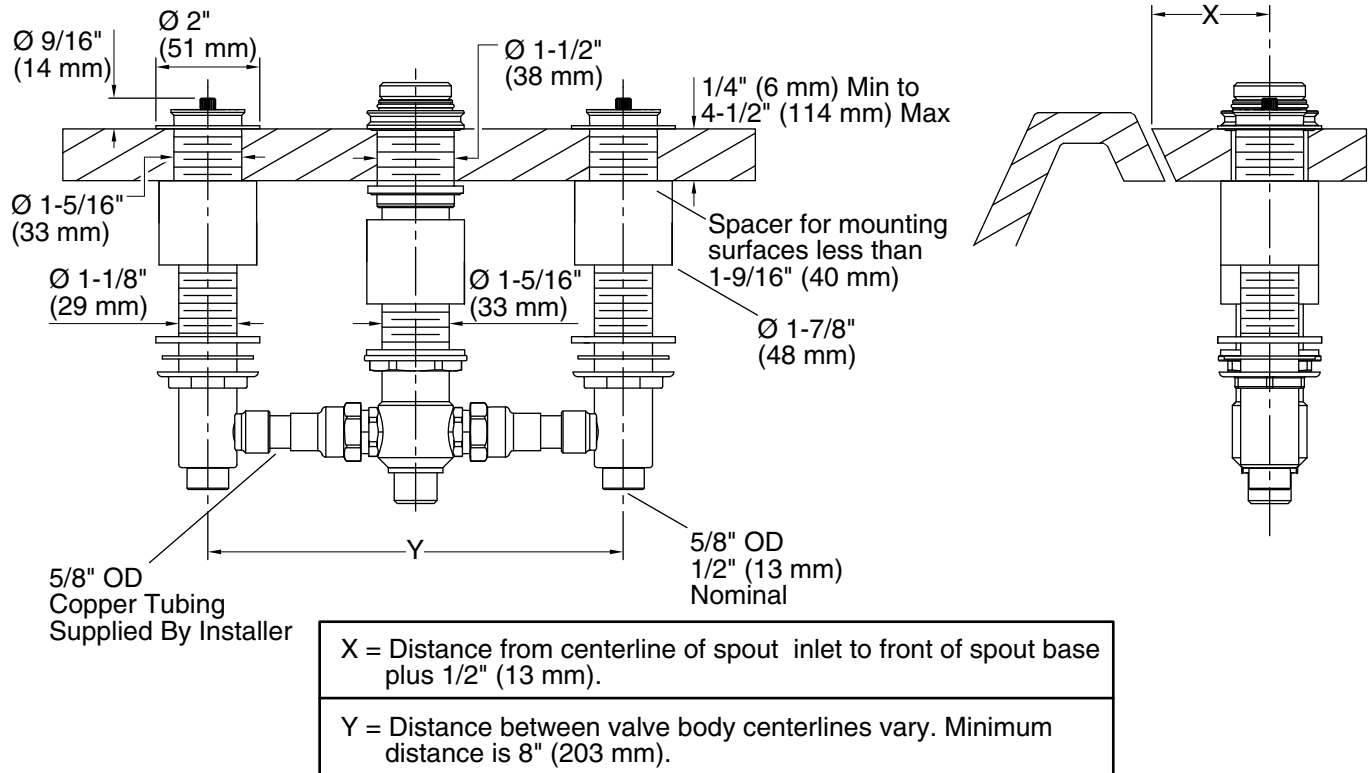
### CODES/STANDARDS APPLICABLE

- Specified model meets or exceeds the following:
- ASME A112.18.1/CSA B125.1

# P19304

#### Finished Deck-Mount Installation

#### Finished Rim-Mount Installation



X = Distance from centerline of spout inlet to front of spout base plus 1/2" (13 mm).

Y = Distance between valve body centerlines vary. Minimum distance is 8" (203 mm).

### SPECIFIED MODEL

Model	Description	Finishes
P19304-00	Deck-Mount Bath Valve with Diverter	<input type="checkbox"/> NA

We reserve the right to make revisions without notice in the design of products or in packaging unless this right has specifically been waived at the time the order is accepted.