

- Portable rinsing sprayer for use with clean water to rinse coil cleaner off of coil
- Durable sprayer with optimal 150 psi water pressure
- Removable 4.5 gallon water tank
- High Capacity Lithium-Ion rechargeable battery
- Includes the following accessories:
  - Eight Inch 90 (degree) spray wand for cleaning indoor mini-split
  - Battery charger
  - Heavy-duty hose/sprayer
  - Multiple spray nozzles
  - AC/DC power converter for all day, every day use
  - Adjustable shoulder strap for easy mobility
  - Turbo Tank/Coil Gun connector for quick and easy use with Nu-Calgon's Coil Gun (4774-0, sold separately)
- Now compatible with Milwaukee 18v and DeWalt 20v batteries
- Available separately - 39 inch length 90° spray wand (4778-11)

## Application

The Turbo Tank Rinsing Sprayer 2.0 is a portable tool designed specifically for rinsing air cooled air conditioning coils with clean water after Nu-Calgon coil cleaner has been applied independently to the coil. The Turbo Tank can be used with Bio-Fresh CD, a bacteriostat/fungistat in select applications of indoor coils of ductless systems to aid in inhibiting future growth of microorganisms on the internal surfaces. **The Turbo Tank is not designed for use with any indoor or outdoor coil cleaner; the use of coil cleaners can damage the sprayer and will void warranty of the sprayer – this includes cleaners/disinfectants such as Nu-Calgon's Evap-Fresh.**

The Turbo Tank/Coil Gun Connector allows use of Nu-Calgon's Coil Gun (4774-0) with the Turbo Tank. This system allows application of Nu-Calgon's coil cleaners in the Coil Gun with the advantage of the portable, pressurized Turbo Tank. With this system, the ratio of product is the same as standard use but with less water pressure. This is as designed, since the available pressure is less than typical water supplies.

The Turbo Tank is great for these applications:

- Rinsing ductless wall units
- Rinsing ceiling cassette applications
- Rinsing outdoor coils in remote locations
- De-icing air conditioning/refrigeration components

## Sprayers

### Turbo Tank Sprayer 2.0



## Specifications

- Water Pressure: 150 psi
- Volts: 12VDC
- Power: 60 Watts
- Hose Length: 236 inches (six meters)
- Power Cord: 118 inches (three meters)
- Tank Capacity: 4.5 gallons
- Weight (empty): 17.2 lbs.
- Dimensions: 14 x 9 x 21 inches

## Packaging

Turbo Tank Sprayer **4781-00**



## Operation Instructions

For complete details of assembly, operating, usage and care instructions of the Turbo Tank Rinsing Sprayer 2.0, consult the instruction insert that accompanies the sprayer. The instruction insert can also be downloaded at [www.nucalgon.com](http://www.nucalgon.com). Please read and understand these instructions before using the product.

**Assembly:** Using the supplied 115VAC charger, fully charge the battery for 4 hours or until the battery indicates charged (4 lit LED's). Separate the water tank from the power base by rotating the tank counterclockwise, remove the tank cap and fill with clean water. If warm water is used, the maximum temperature for use is 100°F. (Important: Do NOT add any coil cleaner to the water in the tank.) Cap tank and reconnect the water tank to the power base. Select the desired nozzle or spray wand for the application.

Nu-Calgon's Coil Gun is required when using the Turbo Tank to apply coil cleaners. To connect this system, the Turbo Tank/Coil Gun Connector is required. First, remove handle from coil gun by pulling snap ring on female quick coupler. Then install the female end of the turbo/tank coil gun connector onto the coil gun and male end onto the Turbo Tank handle. Refer to Nu-Calgon's Coil Gun bulletin 3-454 for proper use and application of coil cleaners with the coil gun.

**Operation:** The Turbo Tank can be powered during its operation in one of two ways:

- **For battery:** Charge and install battery and turn unit on to "Battery" on sprayer.
- **For AC/DC power converter:** Plug converter into 115VAC power source at the jobsite. Turn unit on to "Wall" position on sprayer.

Always wear productive eyewear and gloves when rinsing coil cleaner with the sprayer. Purge the hose of air by running the Turbo Tank Rinsing Sprayer for 30 seconds or until a steady stream of water is present; then proceed to rinse to coil. Depending on the condition of the battery, it will typically operate the sprayer for 40 minutes. The AC/DC power converter is recommended to always ensure power to the Turbo Tank Rinsing Sprayer at the jobsite when multiple cleanings are anticipated. Turbo Tank 2.0 is also compatible with Milwaukee and Dewalt 18v batteries.

The device is equipped with an automatic shutoff that de-energizes the motor when the trigger is not being pressed by the operator. **Shutting down the sprayer:** Turn the switch to the "OFF" position. Pull the trigger on spray gun to relieve any water pressure in the hose and spray gun. Always turn the Turbo Tank sprayer to the "OFF" position during transport between jobsites.

## Maintenance

**Warning:** Always disconnect the plug from the power supply before performing any maintenance.

- **Water Filter:** Inspect the water filter screen before filling with water. Clean the water filter screen when necessary.
- **Clogged Nozzle:** A clogged nozzle will cause the operating pressure to be too high, causing the Turbo Tank to surge. If this happens, turn power off to sprayer, pull trigger on spray handle to relieve pressure and remove nozzle or spray wand. Flush nozzle/wand orifice backwards with compressed air and reassemble into sprayer gun.

**Storage:** The Turbo Tank sprayer needs be stored in such a way to protect from freezing. Do not store outdoors or in areas where the temperature falls below 32°F. Failure to remove water from sprayer in freezing conditions can damage the product and void warranty. Consult the instruction manual for other provisions on how to winterize the sprayer if it must be stored in a freezing condition.

For storage purposes, always turn Turbo Tank to "OFF" position, and squeeze the trigger of the spray gun to relieve pressure within the sprayer and drain the tank.

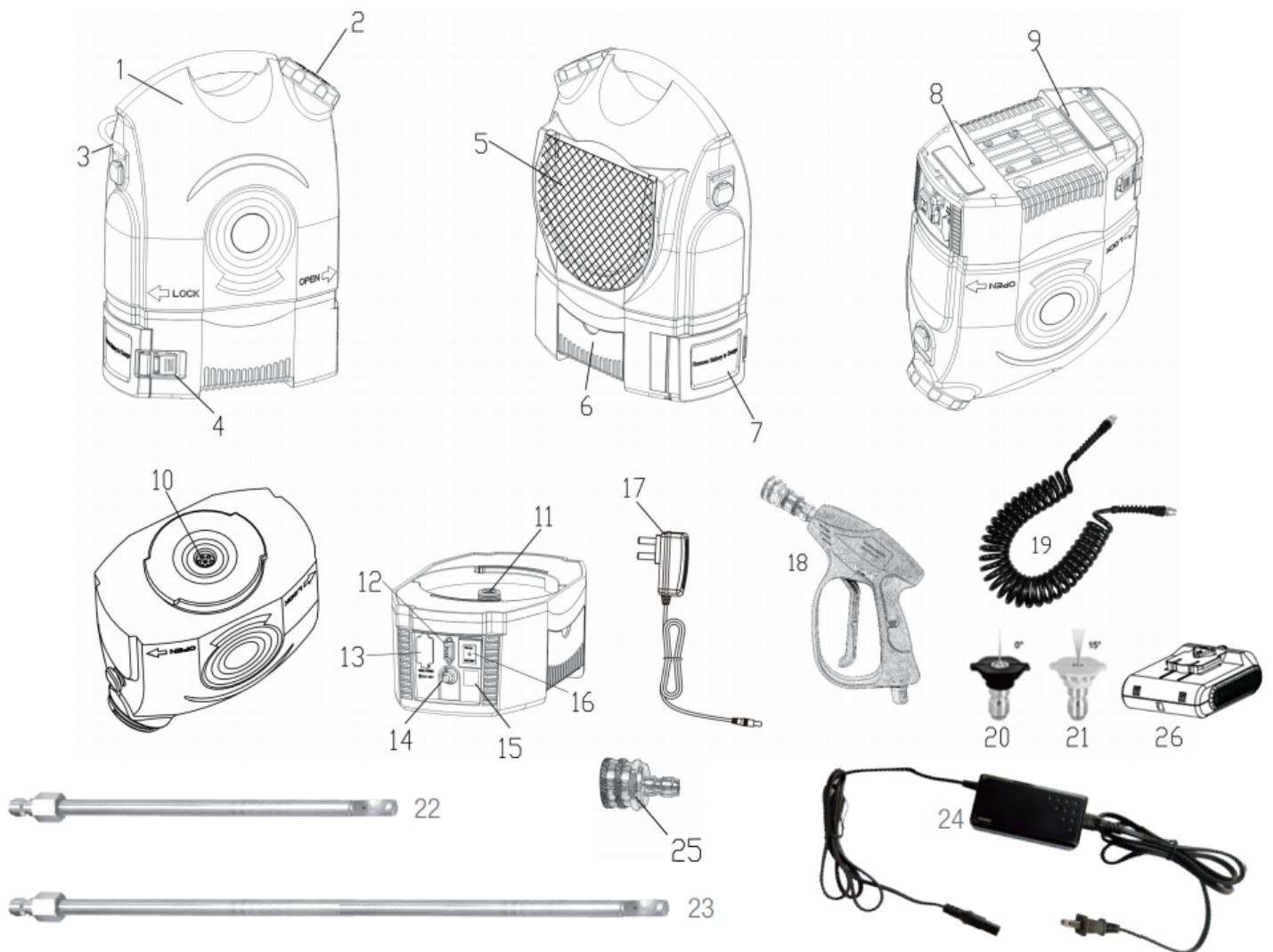
## Warranty and Repair

Nu-Calgon will warrant the product for a period of 12 months from the date of purchase to be free of defects in material or workmanship. Keep your original sales invoice to validate the warranty period.

If the product should become defective within the warranty period, we will repair or replace any defective parts free of charge. **Return the sprayer to a Nu-Calgon authorized wholesaler to initiate the process of repairing or replacing the defective part. If necessary, the Turbo Tank can easily be remedied in the field with a replacement part – do not send back to Nu-Calgon without prior authorization.**

The warranty does not include usual wear and tear, damage resulting from accident or unreasonable use of the product, unauthorized repairs or parts that do not belong to the product. The Turbo Tank is designed for clean water only. The use of any coil cleaner will void warranty, since it can damage the wetted parts of the sprayer.

# PARTS DIAGRAM



- |                              |   |
|------------------------------|---|
| 1. Water tank                | 15. Instructions QR Code                                    |
| 2. Lid                       | 16. Power Switch  |
| 3. Adjustable Shoulder Strap | 17. Battery Charger (4781-02)                               |
| 4. Battery Cover Clasp       | 18. Commercial Spray Gun (4778-21)                          |
| 5. Mesh Storage Compartment  | 19. Self-Recoil Hose (4778-20)                              |
| 6. Cover for AC/DC Adaptor   | 20. Red Straight Nozzle (4778-13)                           |
| 7. Battery Cover Door        | 21. Yellow 15° Nozzle (4778-14)                             |
| 8. Drain Hole                | 22. Mini-Split 90° spray wand (4778-10)                     |
| 9. Rubber Pad                | 23. 39-inch 90° spray wand - Available Separately (4778-11) |
| 10. Tank Water Outlet Valve  | 24. 18VDC-120VAC Wall Adapter (4781-04)                     |
| 11. Base Water Inlet         | 25. Coil Gun Adapter (4778-26)                              |
| 12. 10A Fuse (4781-03)       | 26. Lithium Battery Pack (4781-01)                          |
| 13. 18v Wall Adapter Inlet   |   |
| 14. Hose Inlet               |   |

# Troubleshooting Procedures

