

STERLING®

A KOHLER COMPANY

ACCORD®

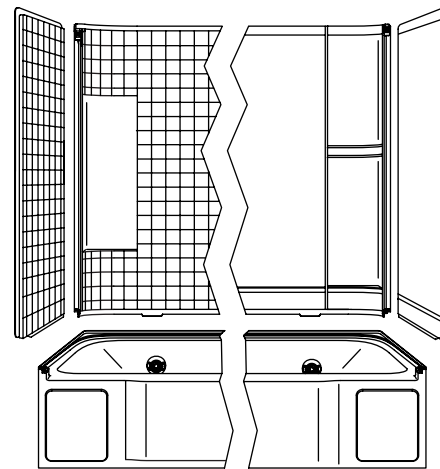
Features

- Compression molded from our exclusive solid Vikrell® material
- Pivot "snap together" installation
- Modular 4-piece design
- Integral apron with removable access panel
- Durable high-gloss finish
- Wall surround available with smooth finish or glazed tile appearance
- Pump with air switch and grounding-type plug-in cord
- 6 Jets
- 10-year consumer/3-year commercial limited warranty
- No caulk required in the seams
- 15" (38.1 cm) bath whirlpool depth (floor to top of threshold)
- 60-1/4" (153 cm) x 31-1/4" (79.4 cm) x 73-1/4" (186.1 cm) complete unit rough-in dimensions include flange
- 60" (152.4 cm) x 30" (76.2 cm) x 72" (182.9 cm) complete unit finished dimensions

60" (152.4 cm) WHIRLPOOL BATH AND WALL SURROUND

76140110

ALSO 76140120, 76240110, 76240120



Codes/Standards Applicable

Specified model meets or exceeds the following:

- ANSI Z124.1.2
- ASME A112.19.7M
- ASTM E162
- ASTM E662
- UL 1795

Colors/Finishes

- 0: White
- Other: Refer to Price Book for additional colors/finishes

Specified Model

Model	Complete Unit Description	Colors/Finishes	
76140110	60" (152.4 cm) whirlpool bath and wall surround, tile wall, left drain	<input type="checkbox"/> 0	<input type="checkbox"/> Other _____
76140120	60" (152.4 cm) whirlpool bath and wall surround, tile wall, right drain	<input type="checkbox"/> 0	<input type="checkbox"/> Other _____
76240110	60" (152.4 cm) whirlpool bath and wall surround, smooth wall, left drain	<input type="checkbox"/> 0	<input type="checkbox"/> Other _____
76240120	60" (152.4 cm) whirlpool bath and wall surround, smooth wall, right drain	<input type="checkbox"/> 0	<input type="checkbox"/> Other _____

Technical Information

Fixture*:	
Basin area:	
Bathing well	46-1/4" (117.5 cm) x 20-1/2" (52.1 cm)
Top area	52-1/4" (132.7 cm) x 22-1/2" (57.2 cm)
To overflow:	
Water depth	11" (27.9 cm)
Capacity	34 gal (128.7 L)
* Approximate measurements for comparison only.	

Pump:	V	Hz	A
1-speed	120	60	7

Model	Door maximum width	Door maximum height
76140110 76140120 76240110 76240120	56-3/4" (144.1 cm)	56-1/2" (143.5 cm)

Required Electrical Service

Dedicated circuit required, protected with Class A Ground-Fault Circuit-Interrupter (GFCI):	
Pump	120 V, 15 A, 60 Hz

Installation Notes

Install this product according to the installation guide.

Pump is supplied with a grounding type plug-in cord. Locate the outlet behind the whirlpool, within 24" (61 cm) of the pump.

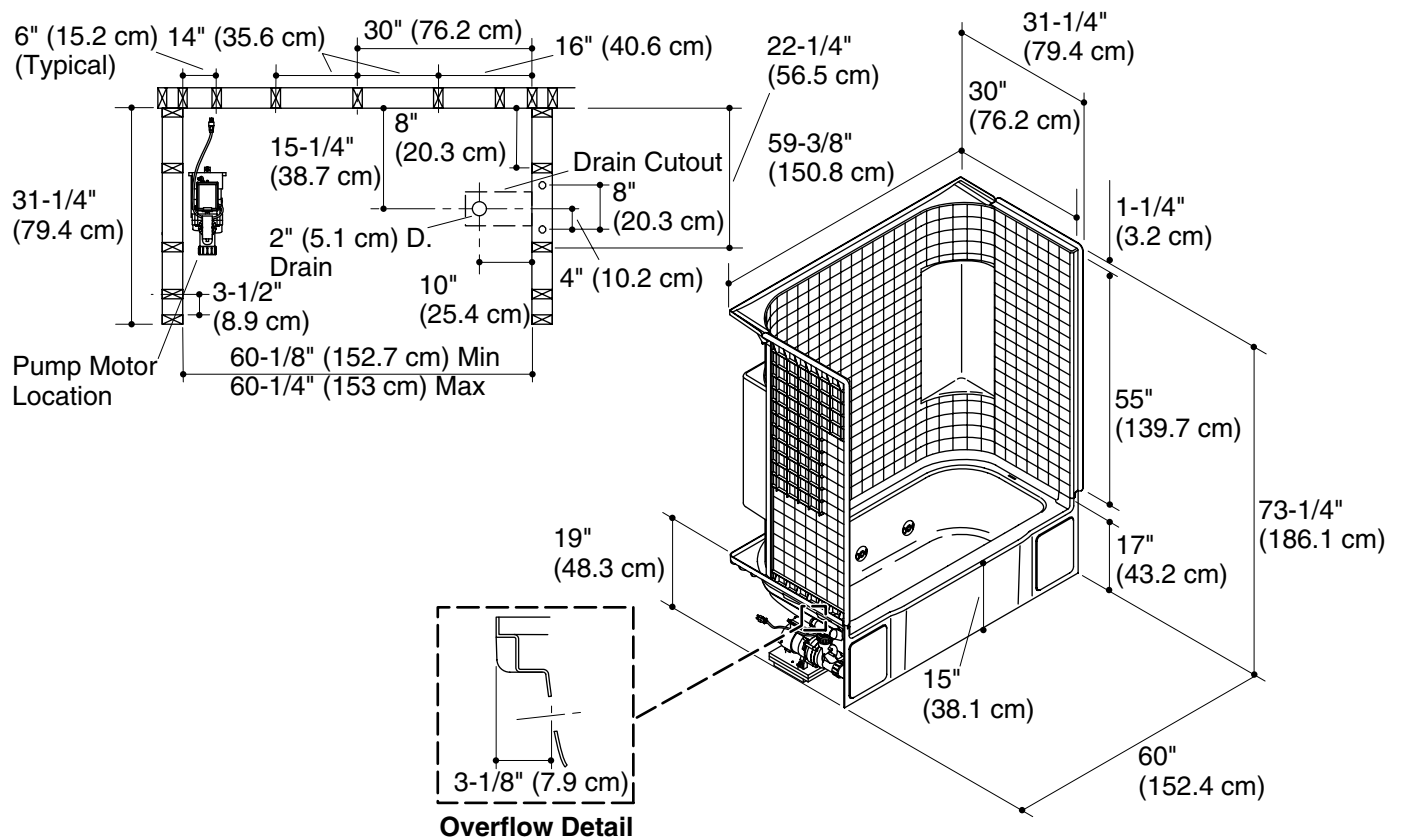
Do not disassemble the pump or piping as this could void the warranty.

Size the drain cutout to fit the drain assembly.

Studs should be positioned roughly as shown.

Bath cannot be installed without the wall surround.

The width of the module gets 5/8" (1.6 cm) narrower at the back. Furring strips (approximately 1/4" (6 mm)) should be used at the back corner studs if drywall will overlap the nailing flange.



Product Diagram