

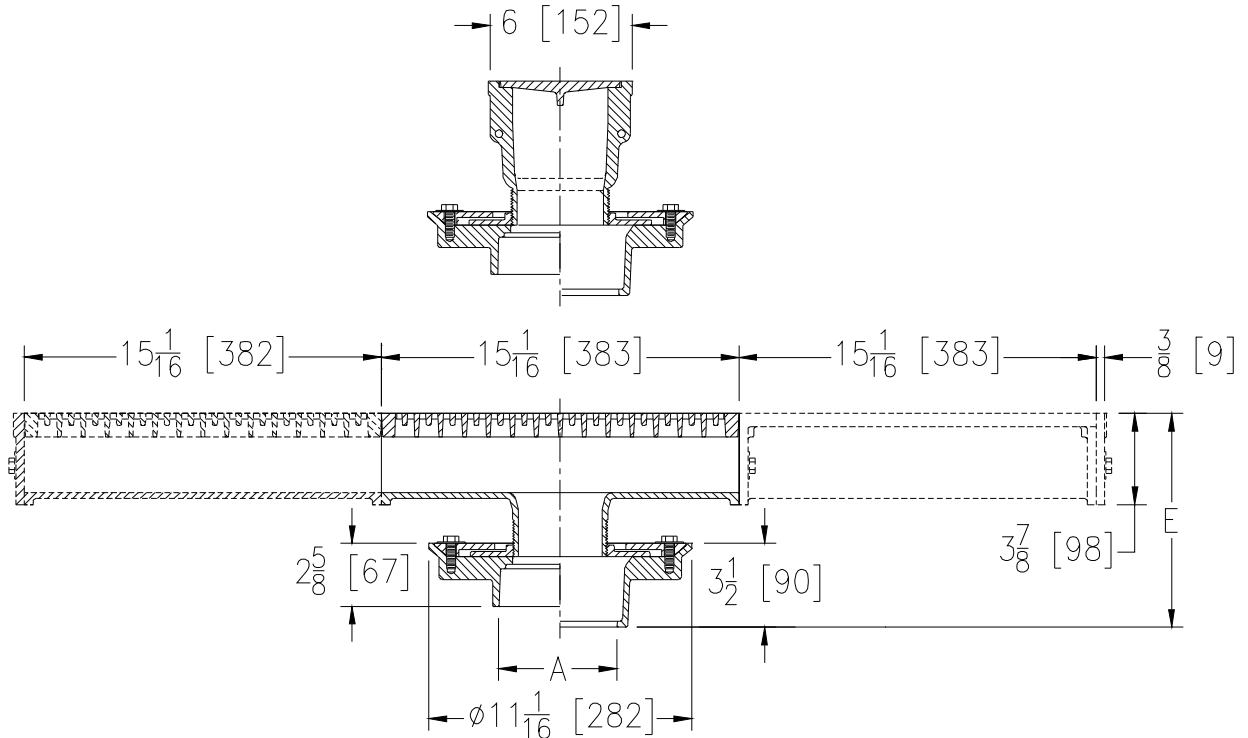


Z667
 6 [152] WIDE MODULAR TRENCH DRAIN
 MEDIUM-DUTY

SPECIFICATION SHEET

TAG _____

Dimensional Data (inches and [mm]) are Subject to Manufacturing Tolerances and Change Without Notice



A Pipe Size In [mm]	Approx. Wt. Lbs. [kg]	Grate Open Area Sq. In. [cm ²]
3, 4 [76, 102]	40 [18]	27 [174]

ENGINEERING SPECIFICATION ZURN Z667

6" [152mm] Wide top sectional trench drain, Dura-Coated cast iron bottom outlet section vertically and horizontally adjustable cast iron drain section having seepage pan and membrane clamp. Both 15" [381mm] long outlet module section and extension modules are complete with loose medium-duty slotted grate.

OPTIONS (Check/specify appropriate options)

PIPE SIZE

- 3, 4 [76, 102]
- 3, 4 [76, 102]
- 3, 4 [76, 102]

(Specify size/type) **OUTLET**

- ___ IC Inside Caulk
- ___ IG Inside Gasket
- ___ NL Neo-Loc

'E' BODY HT. DIM.

	MIN.	MAX.
	8-1/8 [206]	8-7/8 [225]
	8-1/8 [206]	8-7/8 [225]
	7-15/16 [202]	8-11/16 [221]

PREFIXES

- ___ Z D.C.C.I. Body and Top*
- ___ ZB D.C.C.I. Body w/Polished Bronze Top (Add 1/8 [3] to 'E' dim)
- ___ ZN D.C.C.I. Body w/Polished Nickel Bronze Top (Add 1/8 [3] to 'E' dim)

SUFFIXES

- ___ -AR Acid Resisting Epoxy Coated Cast Iron (Per Section)
- ___ -DG Duresist Grate (Per Section)(Z only)
- ___ -ES 15 [381] Extension Section (Specify Number of Sections Required)
- ___ -G Galvanized Cast Iron (Per Section)
- ___ -TC Neo-Loc test cap gasket (3 [76] - 4 [102] NL Bottom Outlet Only)
- ___ -TS Top Secured with Slotted Screws (Per Section)
- ___ -V Backwater Valve (See Z1099)
- ___ -VP Vandal-Proof Secured Top (Per Section)

* Regularly furnished unless otherwise specified.