



Hayridge® Whitehaven®

Hayridge™ 36" Smart Divide® Kitchen Sink with Tall Apron

K-6349

Features

- Double (large/medium) bowl.
- Smart Divide® lowered divider.
- Decorative apron pattern.
- With 8-13/16" (224 mm) Self-Trimming® integral apron.
- Fits a 36" apron sink base cabinet.
- 35-11/16" (906 mm) x 21-9/16" (548 mm) x 9-5/8" (244 mm)

Material

- KOHLER® enameled cast iron.
- Acid-resistant enamel finish.

Installation

- Under-mount

Recommended Accessories

- K-9000 P-Trap
- K-5828 Sink Rack
- K-5874 Sink Rack
- K-6377 Sponge Caddy
- K-6378 Kitchen Brush Caddy
- K-6379 Kitchen Squeegee
- K-6382 Disinfecting Wipes Dispenser
- K-6383 Soap Dispenser
- K-8618 Paper Towel Holder
- K-8619 Flexible Kitchen Mat
- K-8624 Dish Scraper

Optional Accessories

- K-8801 Sink Strainer



Codes/Standards

ASME A112.19.1/CSA B45.2

KOHLER® Enameled Cast Iron Kitchen Sink Lifetime Limited Warranty

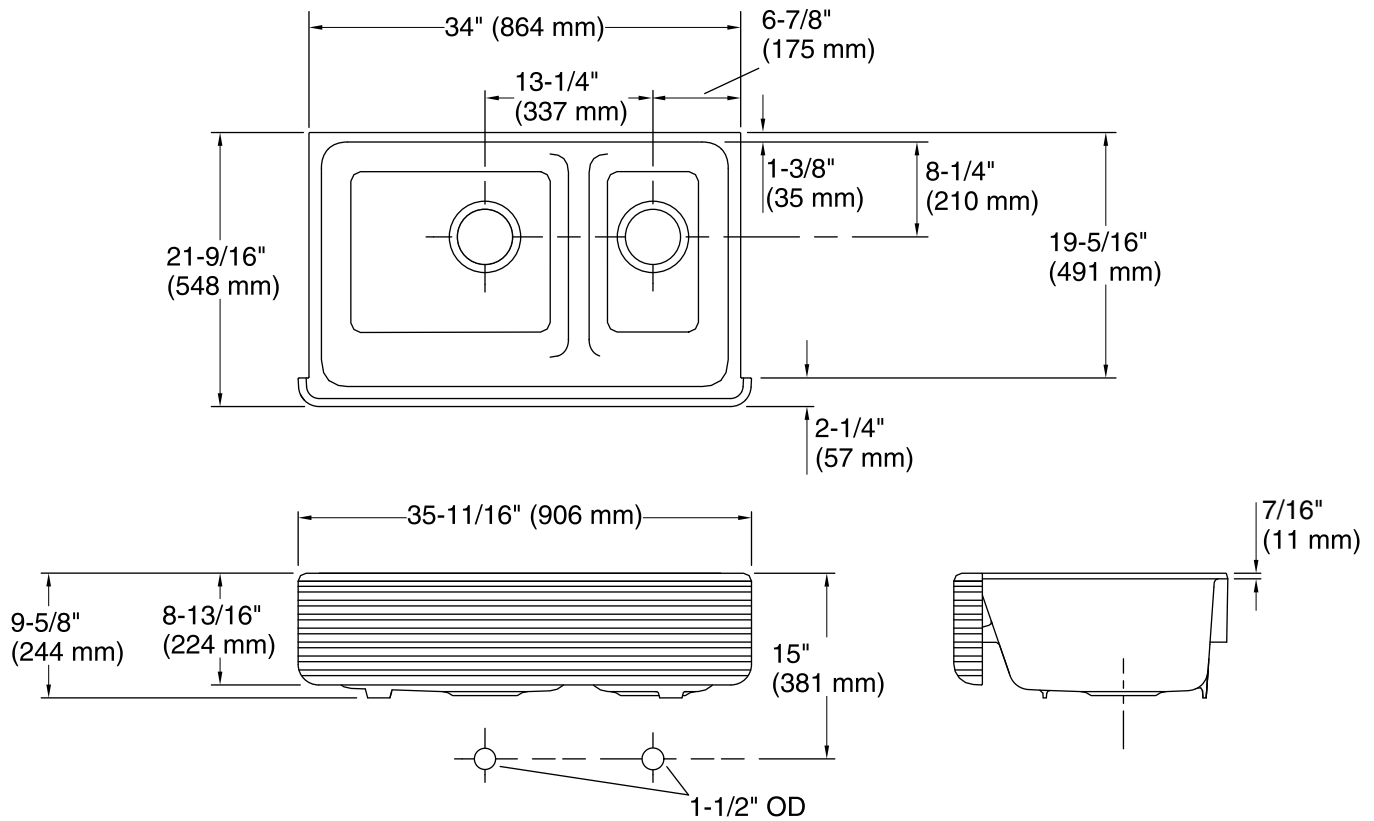
See website for detailed warranty information.

Available Color/Finishes

Color tiles intended for reference only.

Color	Code	Description
-------	------	-------------

	0	White
--	---	-------



Technical Information

All product dimensions are nominal.
 Bowl configuration: Large/medium
 Installation: Under-mount
 Min. base cabinet width: 36" (914 mm)
 Bowl area (Left) Length: 18-13/16" (478 mm)
 Width: 18-1/16" (459 mm)
 Bowl depth: 9" (229 mm)
 Water depth: 9" (229 mm)
 Bowl area (Right) Length: 10-5/16" (262 mm)
 Width: 18-1/16" (459 mm)
 Bowl depth: 9" (229 mm)
 Water depth: 9" (229 mm)
 Drain hole: 3-5/8" (92 mm)
 Template: 1156910-7, not required, included
 1157001, not required, included

Notes

Install this product according to the installation instructions.
 NOTICE: The countertop manufacturer or cutter must use the cut-out template provided with the product, or a current one provided by Kohler Co. (call 1-800-4KOHLER). Kohler Co. is not responsible for cut-out errors when the incorrect cut-out template is used.
 IMPORTANT! The distance from the top edge of the cabinet to the top of the cabinet door must be at least 9" (229 mm) to install this sink.