

ELKAY®

SPECIFICATIONS

Gourmet Single Bowl Sink Models LFR and LFRAD Series — A.D.A. Compliant Sinks

GENERAL

Highest quality sink formed of #18 gauge, type 304 (18-8) nickel bearing stainless steel. Top mount.

DESIGN FEATURES

Bowl Depth: See chart below.

Coved Corners: 1-3/4" (44mm) vertical and horizontal radius.

Bowl Recess: 3/16" (5mm) below outside edge of sink.

Finish: Exposed surfaces are hand blended to a Lustrous Satin finish.

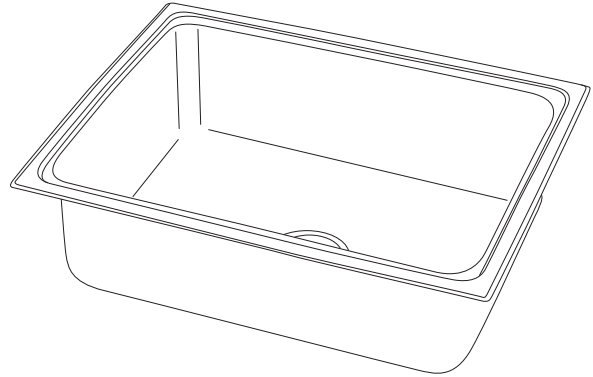
Underside: Fully undercoated to dampen sound and prevent condensation.

OTHER

Drain Opening: 3-1/2" (89mm).






Sink complies with ASME A112.19.3/ CSA B45.4

 Sinks are listed by IAPMO® as meeting the applicable requirements of the Uniform Plumbing Code®, International Plumbing Code®, and National Plumbing Code of Canada.



Model LFR(Q)2519

SINK DIMENSIONS (INCHES)*

U-Channel Model Number	Overall		Inside Bowl			Cutout in Countertop (1 1/2" Radius Corners)		Minimum Cabinet Size	3 1/2" Drain Opening
	L	W	L	W	D	L	W		
LFR1313	13 (330mm)	13 (330mm)	10 (254mm)	10 (254mm)	7 7/8 (194mm)	12 3/8 (314mm)	12 3/8 (314mm)	18 (457mm)	Centered
LFR1515	15 (381mm)	15 (381mm)	12 (305mm)	12 (305mm)	7 7/8 (194mm)	14 3/8 (365mm)	14 3/8 (365mm)	18 (457mm)	Centered
LFR1717	17 (432mm)	17 1/2 (445mm)	14 (356mm)	14 (356mm)	7 7/8 (194mm)	16 3/8 (416mm)	16 7/8 (429mm)	21 (533mm)	Centered
LFR1915	19 (483mm)	15 (381mm)	16 (406mm)	11 1/2 (292mm)	7 7/8 (194mm)	18 3/8 (468mm)	14 3/8 (365mm)	24 (610mm)	Centered
LFR1918	19 (483mm)	18 (457mm)	16 (406mm)	13 1/2 (343mm)	7 7/8 (194mm)	18 3/8 (468mm)	17 3/8 (441mm)	24 (610mm)	Centered
LFR2519	25 (635mm)	19 1/2 (495mm)	21 (533mm)	15 3/4 (400mm)	7 7/8 (194mm)	24 3/8 (619mm)	18 7/8 (476mm)	30 (762mm)	Centered
 LFRAD151555	15 (381mm)	15 (381mm)	12 (305mm)	12 (305mm)	5 1/2 (140mm)	14 3/8 (365mm)	14 3/8 (365mm)	18 (457mm)	Centered
 LFRAD191860	19 (483mm)	18 (457mm)	16 (406mm)	13 1/2 (343mm)	6 (152mm)	18 3/8 (468mm)	17 3/8 (441mm)	24 (610mm)	Centered
 LFRAD251955	25 (635mm)	19 1/2 (495mm)	21 (533mm)	15 3/4 (400mm)	5 1/2 (140mm)	24 3/8 (619mm)	18 7/8 (476mm)	30 (762mm)	Off-Centered
 LFRAD251960	25 (635mm)	19 1/2 (495mm)	21 (533mm)	15 3/4 (400mm)	6 (152mm)	24 3/8 (619mm)	18 7/8 (476mm)	30 (762mm)	Off-Centered
 LFRAD251965	25 (635mm)	19 1/2 (495mm)	21 (533mm)	15 3/4 (400mm)	6 1/2 (165mm)	24 3/8 (619mm)	18 7/8 (476mm)	30 (762mm)	Off-Centered

*Length is left to right. Width is front to back.



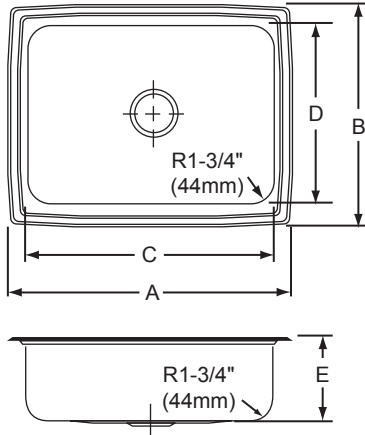
SEE OTHER SIDE FOR PRODUCT DIMENSIONS.

THIS PRODUCT, AS CONSTRUCTED IS SUBJECT TO INTERPRETATION OF A.D.A. REQUIREMENTS.
THE UNOBSTRUCTED KNEE SPACE REQUIRED TO SATISFY A.D.A. STANDARDS MAY NOT BE DESIRABLE.

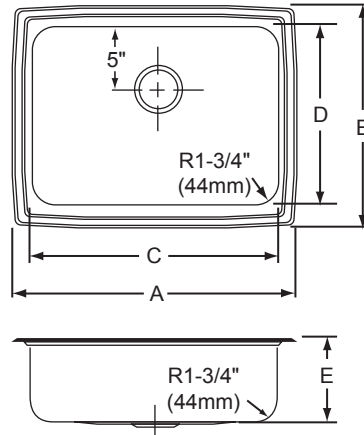
In keeping with our policy of continuing product improvement, Elkay reserves the right to change product specifications without notice. Please visit elkay.com for the most current version of Elkay product specification sheets.

This specification describes an Elkay product with design, quality, and functional benefits to the user. When making a comparison of other producers' offerings, be certain these features are not overlooked.

THIS PRODUCT, AS CONSTRUCTED IS SUBJECT TO INTERPRETATION OF A.D.A. REQUIREMENTS.
THE UNOBSTRUCTED KNEE SPACE REQUIRED TO SATISFY A.D.A. STANDARDS MAY NOT BE DESIRABLE.

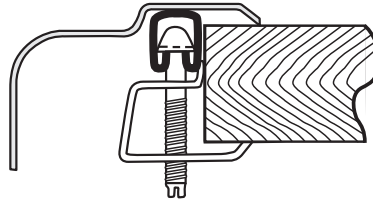


Model LFR2519 Illustrated



Model LFRAD2519 Illustrated

U-Channel Type Mounting System



Quick-Clip[®] Mounting System

