

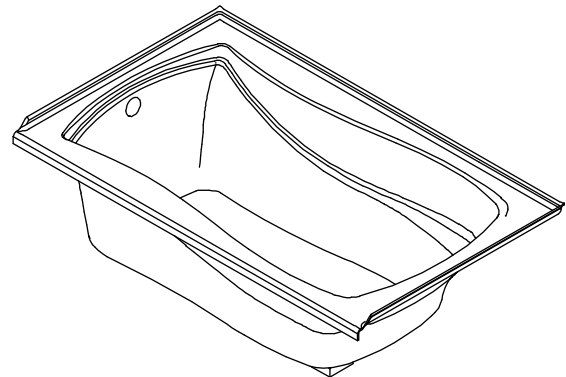
Features

- Acrylic
- Bask™ heated lumbar support with three temperature settings
- Textured bottom surface
- Integral tile flange [K-1242-LW and K-1242-RW]
- Drop-in installation [K-1242-W1] or 3-wall alcove installation [K-1242-LW and K-1242-RW]
- Reversible drain [K-1242-W1] or left/right drain [K-1242-LW and K-1242-RW]
- 60" (1524 mm) x 36" (914 mm) x 20" (508 mm)

5' BATH WITH BASK™ HEATED SURFACE

K-1242-W1

ALSO K-1242-LW, K-1242-RW



Codes/Standards Applicable

Specified model meets or exceeds the following:

- CSA B45.5/IAPMO Z124
- ASTM E162
- ASTM E662
- UL 1795

Colors/Finishes

- 0: White
- Other: Refer to Price Book for additional colors/finishes

Accessories

- CP: Polished Chrome
- PB: Vibrant® Polished Brass
- Other: Refer to Price Book for additional colors/finishes

Specified Model

Model	Description	Colors/Finishes	
K-1242-W1	5' Drop-in bath with Bask heated surface	<input type="checkbox"/> 0	<input type="checkbox"/> Other_____
K-1242-LW	5' Bath with Bask heated surface – left drain, three-wall alcove	<input type="checkbox"/> 0	<input type="checkbox"/> Other_____
K-1242-RW	5' Bath with Bask heated surface – right drain, three-wall alcove	<input type="checkbox"/> 0	<input type="checkbox"/> Other_____

Recommended Accessories

K-7161-AF	Drain	<input type="checkbox"/> CP	<input type="checkbox"/> PB	<input type="checkbox"/> Other_____
-----------	-------	-----------------------------	-----------------------------	-------------------------------------

Optional Accessories

K-1278	Removable apron	<input type="checkbox"/> 0	<input type="checkbox"/> Other_____
K-1491	Removable pillow	<input type="checkbox"/> 0	<input type="checkbox"/> Other_____

Product Specification

The acrylic bath shall be 60" (1524 mm) in length, 36" (914 mm) in width, and 20" (508 mm) in height. Bath shall have textured bottom surface. Bath shall feature Bask heated lumbar support with three temperature settings. Bath shall have integral tile flange [K-1242-LW and K-1242-RW]. Bath shall be for drop-in installation [K-1242-W1] or 3-wall alcove installation [K-1242-LW and K-1242-RW]. Bath shall have reversible drain [K-1242-W1] or left/right drain [K-1242-LW and K-1242-RW]. Bath shall be Kohler Model K-1242-____-____.

MARIPOSA®

Technical Information

Fixture*:				
Bathing well:				
Basin area, top	54" (1372 mm) x 27" (686 mm)			
Basin area, bottom	46" (1168 mm) x 24" (610 mm)			
Weight	62 lbs (28.1 kg)			
To overflow:				
Water depth	14" (356 mm)			
Capacity	63 gal (238.5 L)			
* Approximate measurements for comparison only.				
Drop-in cutout		58" (1473 mm) x 34" (864 mm)		
Heater:	W	V	HZ	A
	65	120	60	.5

Installation Notes

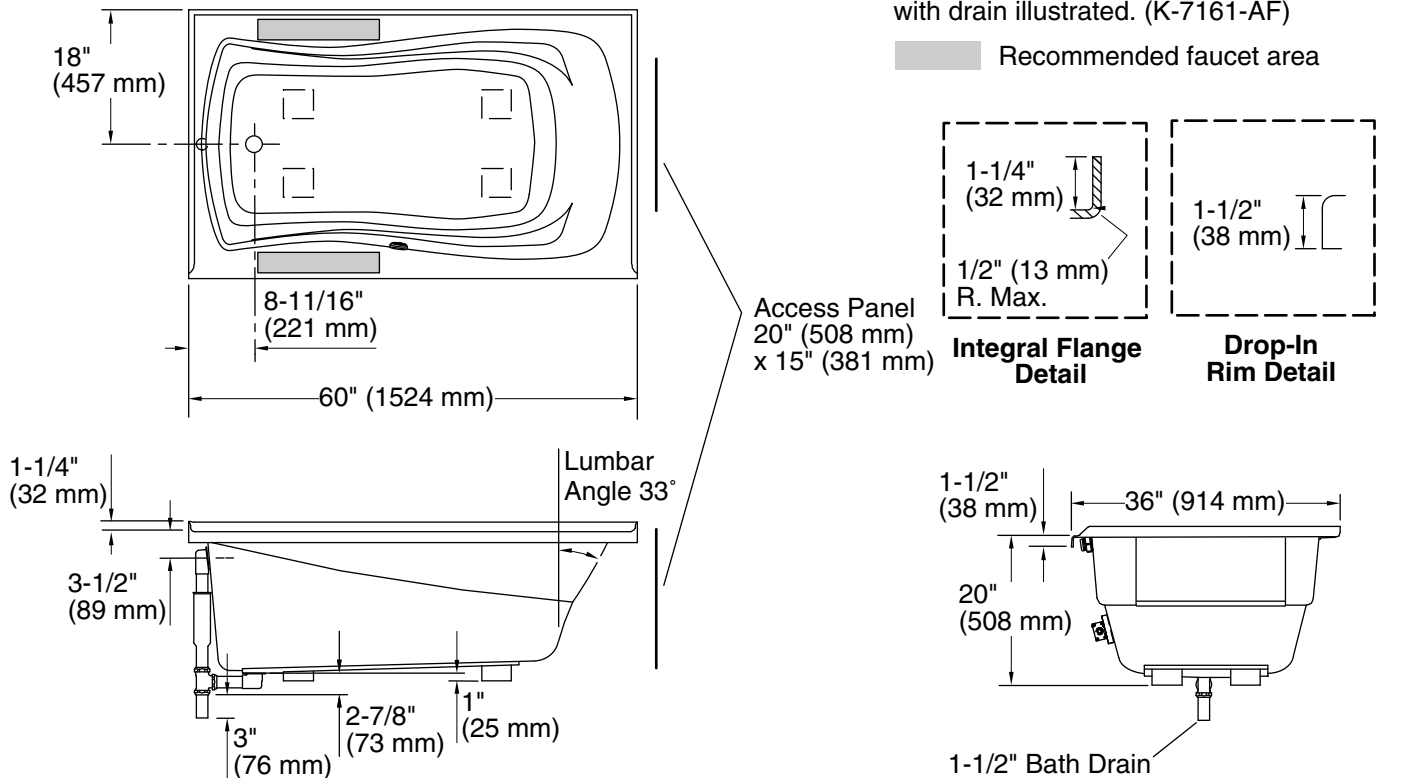
Install this product according to the installation guide.

Floor support under the bath must provide for a minimum of 41 lbs/square foot (200 kg/square meter) loading.

The apron must be installed before the finished floor and wall materials are installed.

Locate a GFCI-protected 120 V, 15 A, grounded electrical outlet within 24" (610 mm) of the bath junction box.

40" (1016 mm) cable is included.



Product Diagram