

# Low Pressure Second Stage Regulators - Standard Settings

## LV4403B Series

### Application

Designed to reduce first stage pressure of 5 to 20 PSIG down to burner pressure, normally 11" w.c. Ideal for medium commercial installations, multiple cylinder installations and normal domestic loads.

### Features

- Large vent helps prevent blockage and has 1/2" F.NPT for vent piping.
- With 15 PSIG inlet pressure, regulator is designed to not pass more than 2 PSIG with the seat disc removed.
- Incorporates integral relief valves.
- Replaceable valve orifice and valve seat disc.
- Straight line valve closure reduces wear on seat disc.
- Unique bonnet vent profile minimizes vent freeze over when properly installed.
- Large molded diaphragm is extra sensitive to pressure changes.
- Built in pressure tap has plugged 1/8" F.NPT outlet. Plug can be removed with a 3/16" hex allen wrench.
- Select brown finish.

### Backmount Design

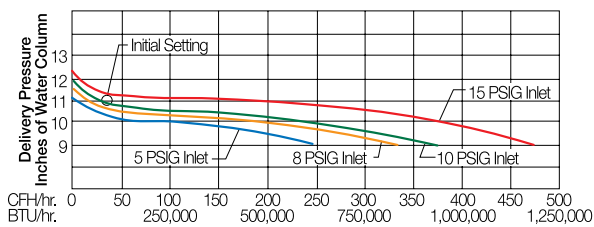
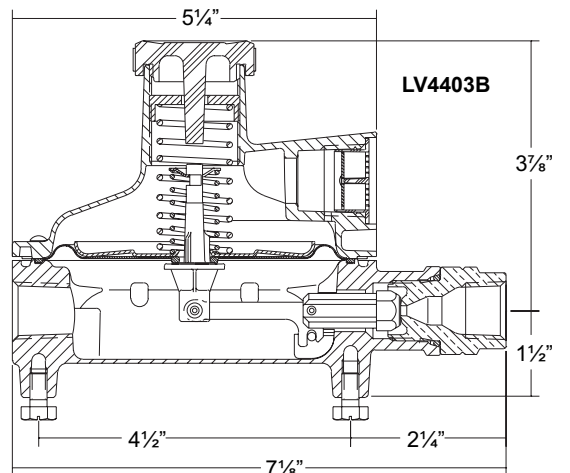
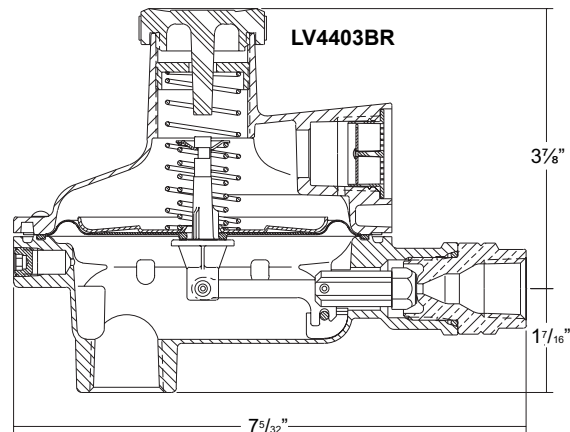
Mounts directly to house line piping. Eliminates need for union joints, elbows, and mounting brackets. Quick and easy to install.

### Materials

Body .....	Die Cast Zinc
Bonnet .....	Die Cast Zinc
Nozzle Orifice .....	Brass
Spring .....	Steel
Valve Seat Disc .....	Resilient Rubber
Diaphragm .....	Integrated Fabric and Synthetic Rubber



**LV4403B Series**



### Ordering Information

Part Number	Inlet Connection	Outlet Connection	Orifice Size	Factory Delivery Pressure	Adjustment Range	Bonnet Vent Position	Vapor Capacity BTU/hr. Propane**
LV4403B4	1/2" F. NPT	1/2"	#28 Drill	11" w.c. at 10 PSIG Inlet	9" to 13" w.c.	Over Inlet	935,000
LV4403B46		3/4" F. NPT					
LV4403B46R*							
LV4403B66	3/4" F. NPT	3/4" F. NPT	#28 Drill	11" w.c. at 10 PSIG Inlet	9" to 13" w.c.	Over Inlet	935,000
LV4403B66R*							

\* Backmount design

\*\* Maximum flow based on 10 PSIG inlet and 9" w.c. delivery pressure.

# New - Dielectric Second Stage Regulators LV4403BD Series

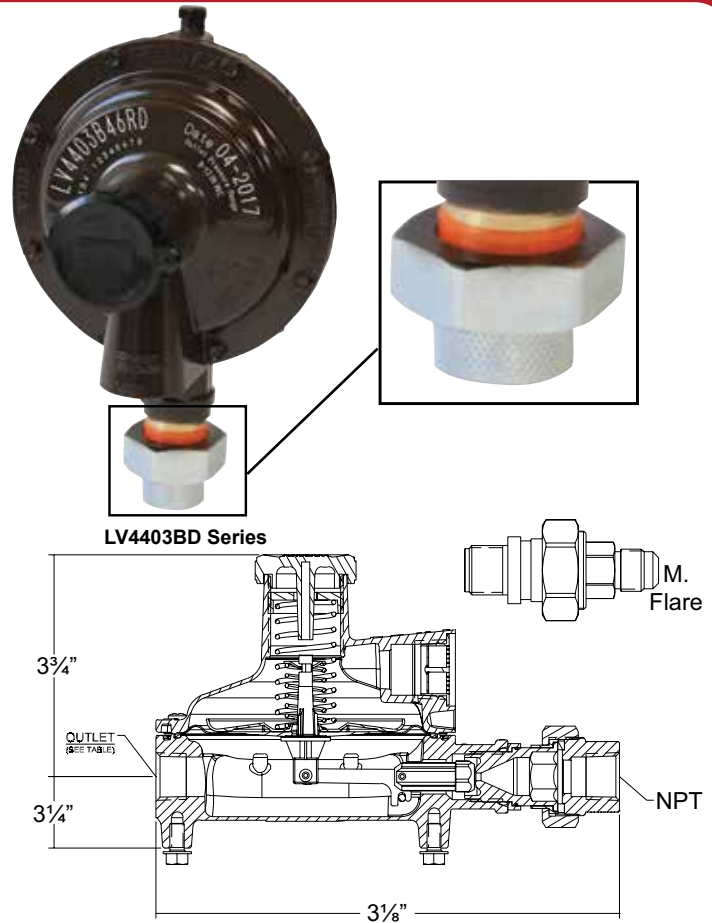
## Application

RegO's Dielectric second stage regulators are designed to reduce first stage pressure normally 10PSIG down to burner pressure, normally 11" w.c. and are ideal for medium commercial installations, multiple cylinders installations and normal domestic loads.

RegO Dielectric second stage regulators are engineered to isolate potential electrical current from metallic piping before entering a building. The use of a separate dielectric union is not necessary because the regulator contains a dielectric union as part of the inlet assembly. Available in both SAE Flare and F.NPT inlet connection.

## Features

- F. NPT Dielectric Union is made of Brass with inlet Portion Made of Plated Steel
- M. SAE Flare inlet connection made of solid Brass
- All second stage features are the same as LV4403B Series



## Ordering Information

Part Number	Inlet Connection	Outlet Connection	Inlet Material	Orifice Size	Factory Delivery Pressure	Adjustment Range	Bonnet Vent Position	Vapor Capacity BTU/hr Propane		
<b>3/8" M. Flare = 3</b>										
LV4403B3D	3/8" M Flare	1/2" F. NPT	Brass	# 28 Drill	11" w.c. at 10 PSIG Inlet	9" to 13" w.c.	Over Inlet	935,000		
LV4403B36D		3/4" F. NPT		3/16"				1,000,000		
LV4403B36RAD**		3/4" F. NPT		3/16"				1,000,000		
LV4403B36RABD***										
<b>1/2" M. Flare = 1</b>										
LV4403B1D	1/2" M Flare	1/2" F. NPT	Brass	# 28 Drill	11" w.c. at 10 PSIG Inlet	9" to 13" w.c.	Over Inlet	935,000		
LV4403B16D		3/4" F. NPT		3/16"				1,000,000		
LV4403B16RD*										
LV4403B16RAD**										
LV4403B16RABD***										
<b>5/8" M. Flare = 5</b>										
LV4403B5D	5/8" M Flare	1/2" F. NPT	Brass	# 28 Drill	11" w.c. at 10 PSIG Inlet	9" to 13" w.c.	Over Inlet	935,000		
LV4403B56D		3/4" F. NPT		3/16"				1,000,000		
LV4403B56RD*										
LV4403B56RAD**										
LV4403B56RABD***										
<b>1/2"- 3/4" F. NPT Female Union</b>										
LV4403B4D	1/2" F. NPT	1/2" F. NPT	Brass & Plated Steel	# 28 Drill	11" w.c. at 10 PSIG Inlet	9" to 13" w.c.	Over Inlet	935,000		
LV4403B46D	1/2" F. NPT	3/4" F. NPT								
LV4403B66D	3/4" F. NPT									
LV4403B46RD*	1/2" F. NPT									
LV4403B66RD*	3/4" F. NPT								3/16"	1,000,000
LV4403B66RAD**										
LV4403B66RABD***										

\* Backmount Design.

\*\* Right Angle Design

\*\*\*Right Angle with Bracket

Maximum flow based on 10 PSIG inlet and 9" w.c. delivery pressure.