



**Occasion™**  
16½" one-light sconce  
**K-31775-SC01**

**Features**

- Ridged cylindrical glass shades combine with faceted metals in vintage-inspired fixtures elegant enough for any room.
- Coordinates with faucets in the Occasion collection.
- Requires bulb with medium (E26) base; type T bulb recommended (sold separately).
- Suitable for damp locations, per UL 1598.
- Includes installation hardware.

**Material**

- Premium metal and glass construction.
- Manufactured with quality materials and complemented with a meticulous finishing process.
- Durable finishes engineered to last and designed to coordinate with KOHLER faucet finishes.

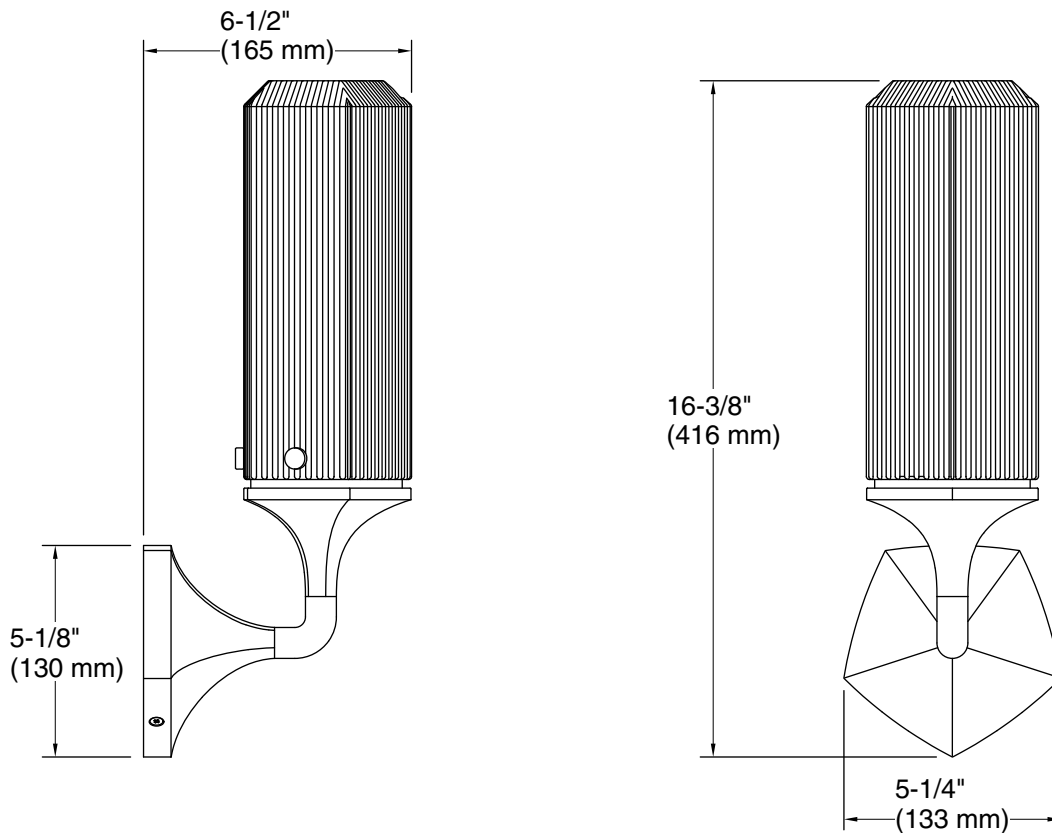


**Codes/Standards**

UL 1598  
CSA C22.2 No. 250.0

**KOHLER® Indoor Lighting Fixtures  
Limited Warranty**

See website for detailed warranty information.



## Required Electrical Service

One circuit required.

120 V, 60 Hz

## Technical Information

All product dimensions are nominal.

Installation Type: Wall-mount  
Material: Steel, Zinc, Glass  
Number of Lights: 1  
Lighting Type: Socket-based  
Socket Type: E-26 Medium  
Number of Shades: 1  
Shade Type: Glass - clear