



# Verticyl® Rectangle

## Under-mount Bathroom Sink

### K-2882

#### Features

- Vitreous china.
- Under-mount.
- Rectangular basin with contemporary design.
- With overflow.
- No faucet holes; requires wall- or counter-mount faucet.
- 17-1/4" (438 mm) x 13" (330 mm)

#### Recommended Accessories

K-8998 P-Trap

#### Components

Additional included component/s: 1193643 Basin Clamps.



ADA

#### Codes/Standards

ASME A112.19.2/CSA B45.1

ADA










ICC/ANSI A117.1

#### KOHLER® One-Year Limited Warranty

See website for detailed warranty information.

#### Available Color/Finishes

*Color tiles intended for reference only.*

Color	Code	Description
	0	White
	96	Biscuit
	47	Almond
	NY	Dune
	95	Ice™ Grey
	G9	Sandbar
	K4	Cashmere
	58	Thunder™ Grey
	7	Black Black™

USA/Canada: 1-800-4KOHLER (1-800-456-4537)

Kohler Co. reserves the right to make revisions without notice to product specifications.

For the most current Specification Sheet, go to [www.kohler.com](http://www.kohler.com).

1-13-2018 02:57

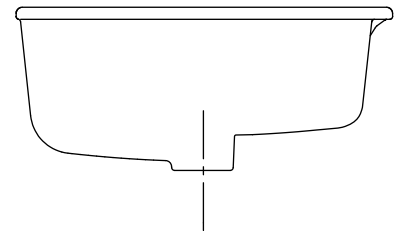
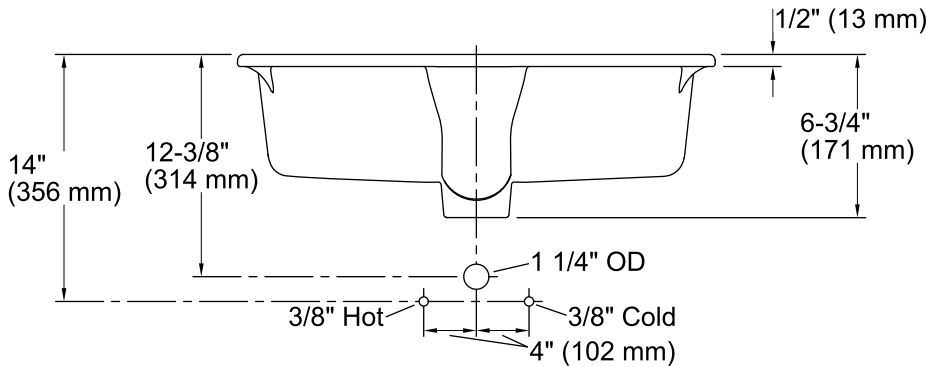
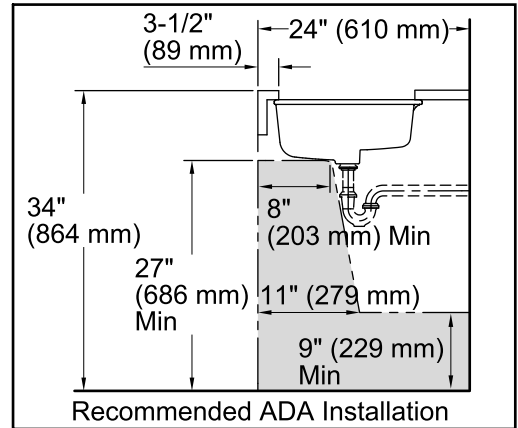
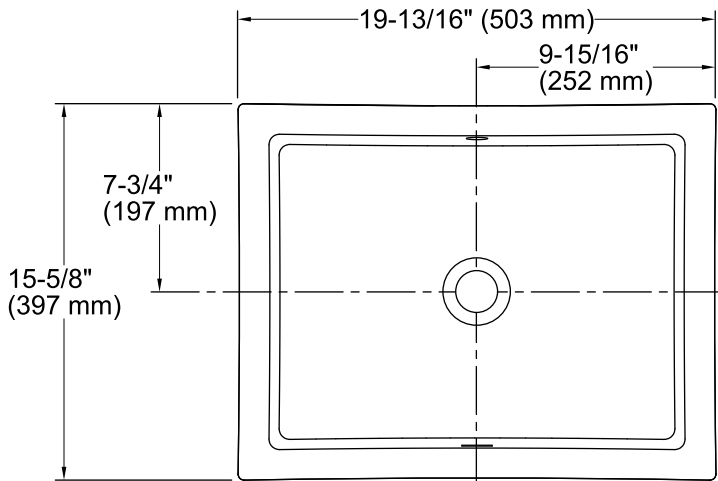
THE BOLD LOOK  
OF **KOHLER**®



# Verticyl® Rectangle

## Under-mount Bathroom Sink

### K-2882



### Technical Information

All product dimensions are nominal.

- Bowl configuration: Single
- Installation: Under-mount
- Bowl area (Only) Length: 17-1/4" (438 mm)  
Width: 13" (330 mm)  
Water depth: 3-1/8" (79 mm)
- Drain hole: 1-3/4" (44 mm)
- Template: 1109226-7, required, not included

### Notes

Install this product according to the installation instructions.

**NOTICE:** Countertop manufacturer or cutter must use the current product template available at [www.kohler.com](http://www.kohler.com), or by calling 1-800-4KOHLER. Kohler Co. is not responsible for cutout errors when the incorrect cutout template is used.

ADA compliant when installed to the specific requirements of these regulations.