

Features

- 0.125 gpf (0.47 lpf).
- Activation distance is factory-set.
- Chloramine and chlorine resistance on all rubber components exposed to waterway.
- Engineered for optimal performance with KOHLER® commercial fixtures.
- 125-micron filter protects internal components.
- High back pressure vacuum breaker.
- Locking stop cap provides protection against vandalism.
- No external flush volume adjustment ensures water conservation.
- 24-hour automatic sentinel flush keeps trapway fresh.
- Mechanical override enables flushometer to be used manually even during a power outage.
- Powered by a 30 year/875,000 cycle hybrid energy cell.

Material

- Brass construction with durable Polished Chrome finish.

Technology

- Electronic infrared sensor with Tripoint® technology for accurate activation.
- Patented piston technology for superior flush volume accuracy.

Installation

- Intended for urinal installations with 3/4" (19 mm) top spud coupling connection.

Recommended Products/Accessories

K-23723 Faucet cleaner



ADA	CSA B651	OBC
-----	----------	-----

Codes/Standards

ASME A112.18.1/CSA B125.1
 ASSE 1037/ASME A112.1037/CSA B125.37
 EPA WaterSense®
 ADA
 ICC/ANSI A117.1
 CSA B651
 OBC

KOHLER® One-Year Limited Warranty

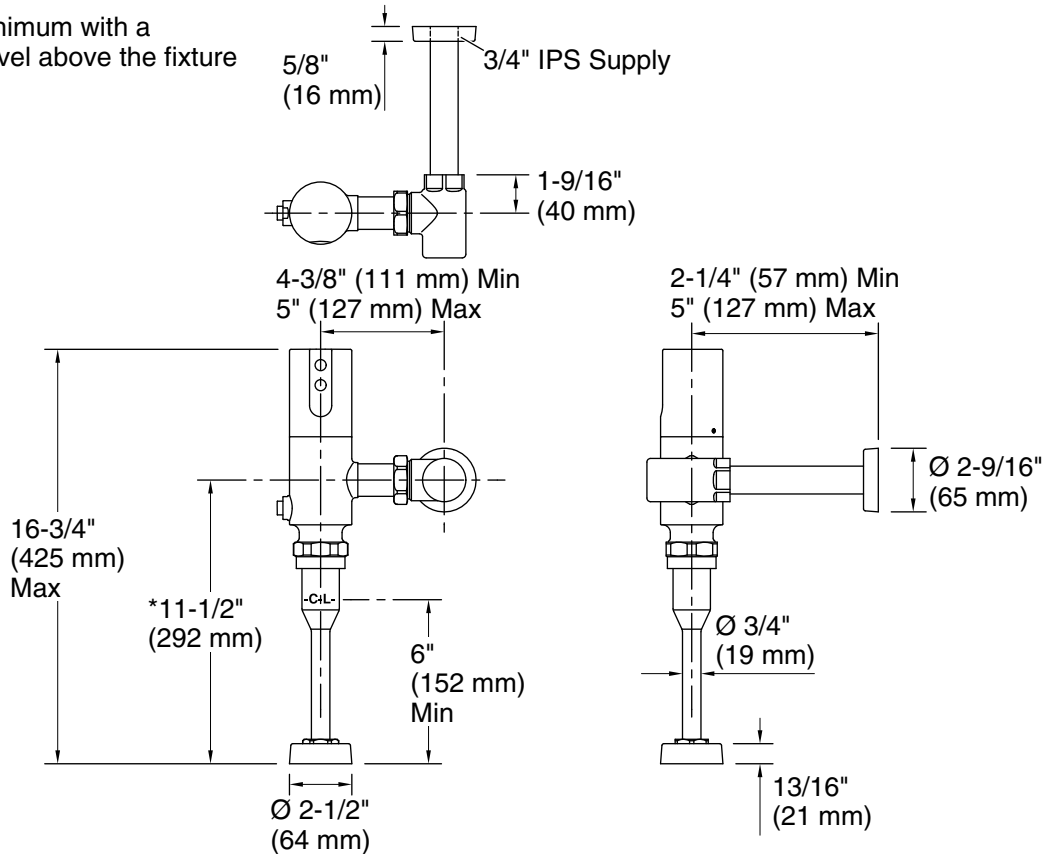
See website for detailed warranty information.

Available Colors/Finishes

Color tiles intended for reference only.

Color	Code	Description
	CP	Polished Chrome

*10-3/4" (273 mm) minimum with a
 6" (152 mm) critical level above the fixture



Technical Information

All product dimensions are nominal.

Fixture pressure 80 psi (551.6 kPa)
 max (static):

Pressure and Supply Requirements

Fixture pressure min 25 psi (172.4 kPa)
 (static):

Fixture Supply Requirements

Min static pressure: 25 psi (172.4 kPa)
 Max static pressure: 80 psi (551.6 kPa)
 Min flowing pressure: 25 psi (172.4 kPa)
 Min flow rate: 25 gpm (94.6 lpm)

Notes

Install this product according to the installation instructions.

ADA, OBC, CSA B651 compliant when installed to the specific requirements of these regulations.