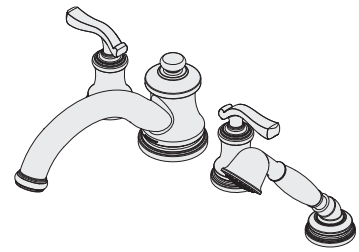


Location:

SYMMONS® Winslet™

Roman Tub Faucet SRT-5172

Specification Submittal



Model Numbers

- SRT-5172 Roman Tub Faucet with Handspray

Finish Options

Append appropriate -suffix to model number.

- STN Satin Nickel Finish
- ORB Oil Rubbed Bronze Finish
- Polished chrome (standard finish)

Options / Modifications

Append appropriate -suffix to model number.

Feature Highlights

- Two handle Roman Tub Faucet with quarter turn ceramic control components.
- Handspray with lift rod diverter
- 1/2 rigid copper tubing connections
- Cast brass spout
- Metal construction,
- Standard finish is polished chrome

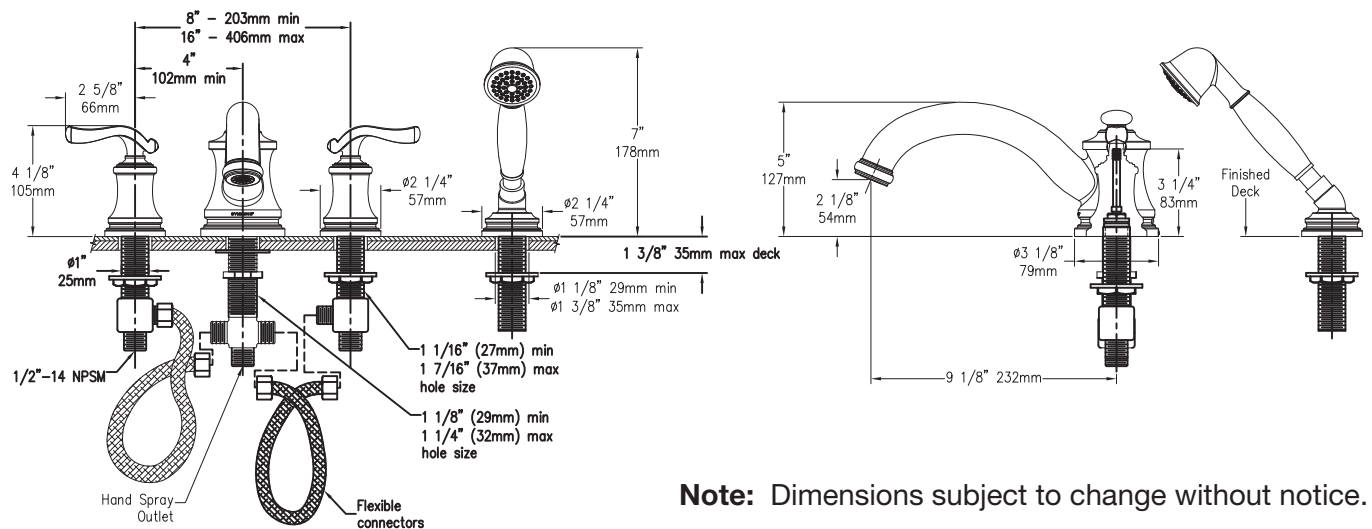
Standards / Certifications

ASME A112.18.1-2005/CSA B125.1-05

Warranty

- Limited Lifetime - to the original end purchaser in residential / consumer installations.
- 5 years - for commercial installations

Dimensions Winslet Roman Tub Faucet, SRT-5172



Symmons Industries, Inc. ■ 31 Brooks Drive ■ Braintree, MA 02184
 (800) 796-6667, (781) 848-2250 ■ Fax (800) 961-9621, (781) 664-1300
 Website: www.symmons.com ■ Email: customerservice@symmons.com

©2009 Symmons Industries, Inc. Printed in U.S.A. ■ 042409 ■ ZV-831

