



## The Choice of Professionals

### King Bros. Industries

29101 The Old Road, Valencia, CA 91355

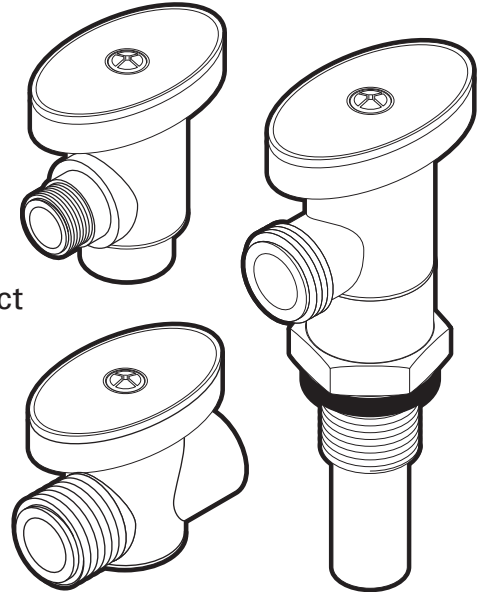
Toll Free: (800) 325-9468 Fax: (661) 257-4320

E-mail: valves@kbico.com Web: www.kbico.com

# CPVC 1/4-Turn Supply and Stop Valves

### Features:

- All Plastic corrosion proof construction.
- High quality EPDM seals.
- CTS CPVC tan body with colorless high-impact polystyrene handle.
- Easy 1/4 -turn shutoff.
- NSF Certified to ASTM F 1970 for use in ASTM D 2846 Hot & Cold water distribution.
- Made with **PlatinumXCELL**® CPVC.
- Manufactured in the **USA** by KBI.



Model	Size	Description	Case	Weight
CWV-0500-BSHL	1/2" x 3/4" MHT	CTS Spigot x Hose Thread	36	Call
CWV-0500-CSHL	1/2" x 3/4" MHT	CTS Spigot x Hose Thread	36	Call
CWV-0500-RSHL	1/2" x 3/4" MHT	CTS Spigot x Hose Thread	36	Call

CSV-0500-12C	1/2" x 1/2" OD	CTS HUB x Comp Thread	36	Call
CSV-0500-38C	1/2" x 3/8" OD	CTS HUB x Comp Thread	36	Call
CSV-0500-12T	1/2" x 1/2" MPT	CTS HUB x MPT	36	Call

CAV-0500-12C	1/2" x 1/2" OD	CTS HUB x Comp Thread	36	Call
CAV-0500-38C	1/2" x 3/8" OD	CTS HUB x Comp Thread	36	Call
CAV-0500-14C	1/2" x 1/4" OD	CTS HUB x Comp Thread	36	Call
CAV-0500-12T	1/2" x 1/2" MPT	CTS HUB x MPT	36	Call

### FEATURES COMMON TO KBI CPVC PLUMBING PRODUCTS

- Made in the USA by KBI
- Limited LIFETIME Warranty
- Meets/Exceeds all ASTM Standards
- Made with PlatinumXCELL® CPVC

