



Buy it for looks. Buy it for life.®

Specifications

DESCRIPTION

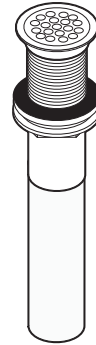
- Chrome plated brass
- Grid strainer type
- 17 gauge tailpiece

STANDARDS

- Third party certified to: ASME A112.18.2 and CSA B-125 and all applicable requirements referenced therein

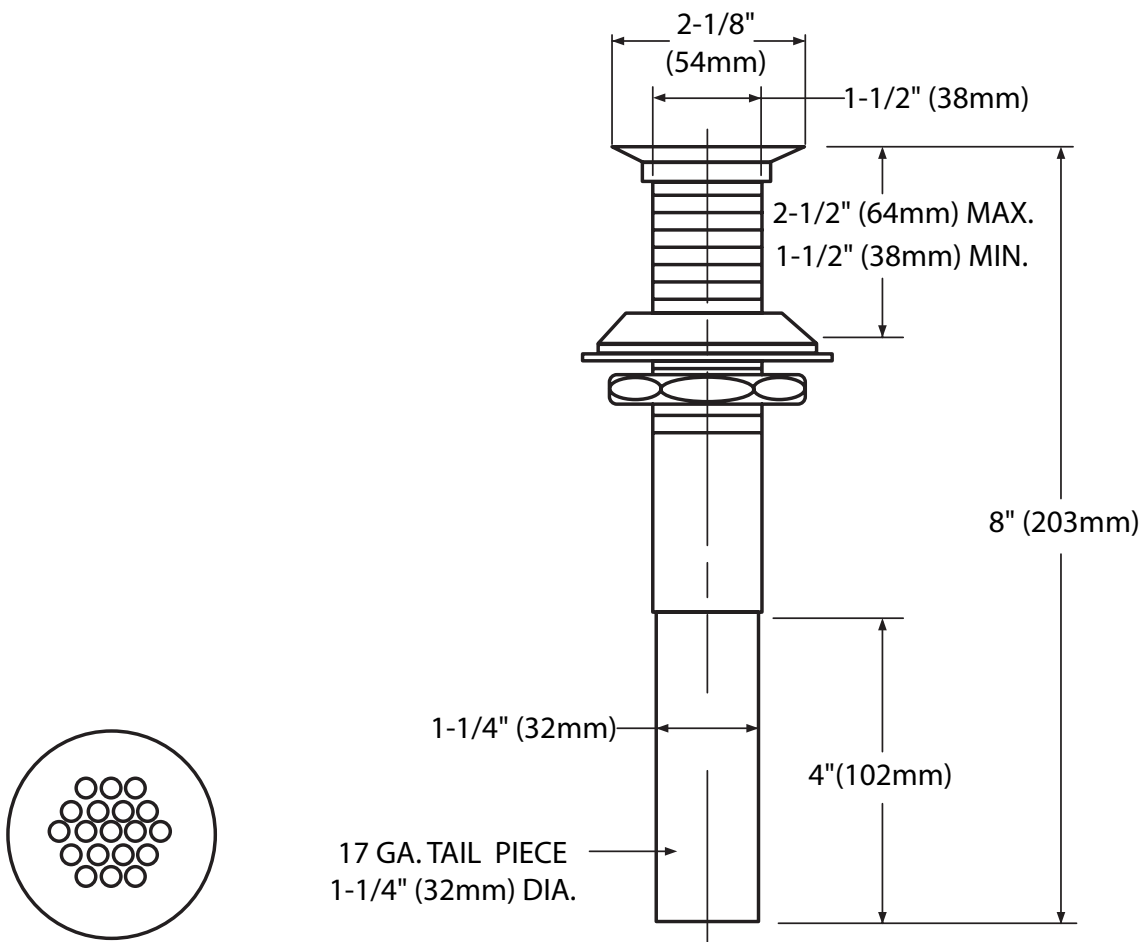
WARRANTY

- Lifetime limited warranty against leaks, drips and finish defects to the original consumer purchaser
- 5 year warranty if used in commercial installations



1-1/4" Grid Drain without Overflow

Model: 123816



CRITICAL DIMENSIONS

(DO NOT SCALE)