

HS5 MOTOR SPECIFICATIONS

ELECTRICAL DATA

VOLTS	115,208-230
HERTZ	60
RPM	1725
HP	1
FL AMPS	6.2 @ 208 6.3 @ 230 12.6 @ 115V
THERM. PROT.	YES

MECHANICAL DATA

DESCRIPTION:

SPLIT PHASE CAP START	YES
OPEN	YES
INT. FAN COOLED	NO

CASING:

DIAMETER (IN)	6.38/56 FR
NOM. LENGTH (IN)	9.38

SHAFT:

DIAMETER (IN)	.625
NOM. LENGTH (IN)	1.94

BEARINGS:

TYPE	SLEEVE
MATERIAL	BABBITED STEEL

UC1-1HP UNIVERSAL CONTROL

Maximum Power Consumption 1/2 Amp @ 120 VAC 50/60 Hz + Venter motor load

Pre-Purge: Options (0,15,30,60 seconds)

Post-Purge: Factory set at 2 minutes

Options (0,30 seconds; 1,2,4,8,16 minutes)

Dimensions: 5" x 8" (2' electrical whip inc.)

FAN PROVING SWITCH

5 VDC UC1 board supplied power switched through Fan Prover. UC1 burner / gas valve interlock rated for 1 H.P. @ 120 VAC.

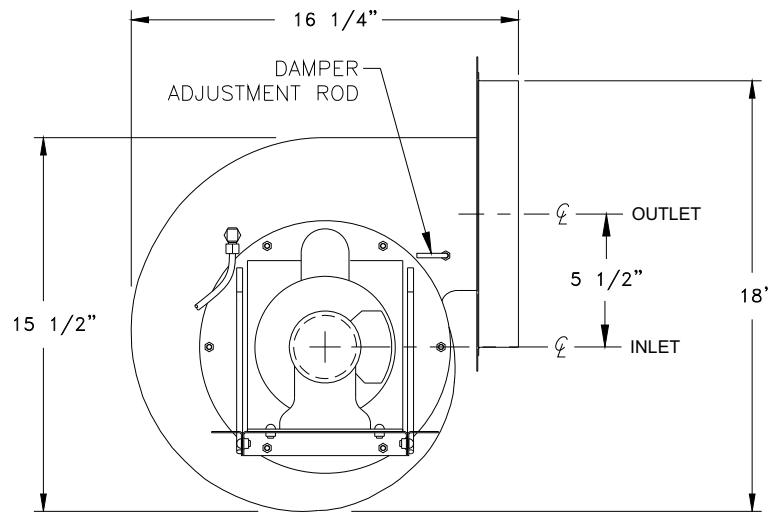
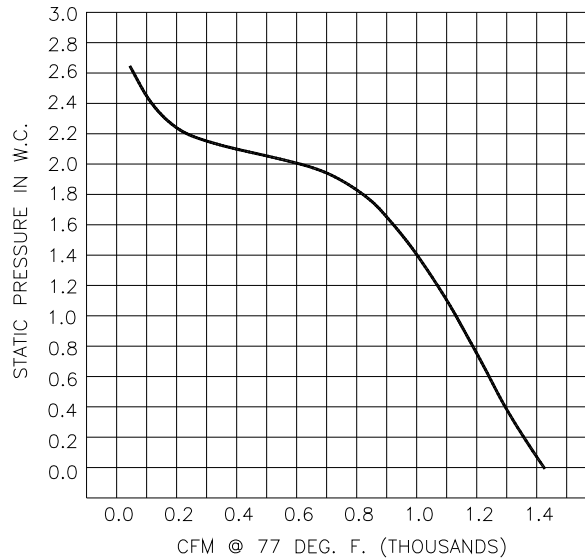


TJERNLUND PRODUCTS, INC.

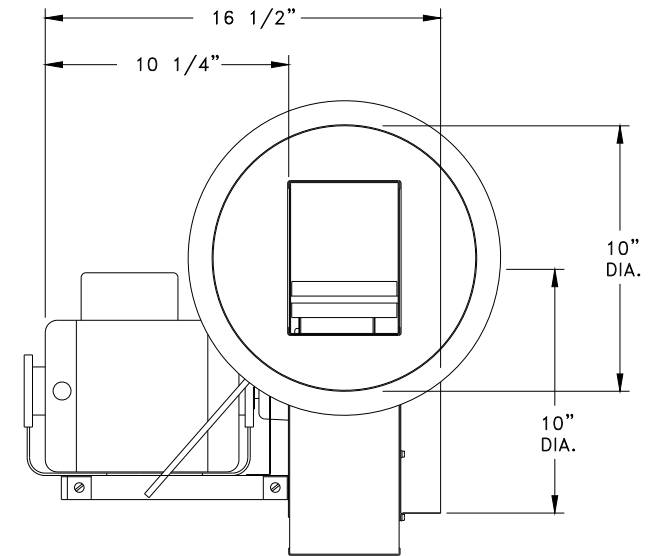
1601 Ninth Street • White Bear Lake, MN 55110-6794
 PHONE (800) 255-4208 • (651) 426-2993 • FAX (651) 426-9547
 Visit our web site • www.tjernlund.com

HS5 POWER VENTER SPECIFICATIONS

HS5 FAN CURVE WITH DAMPER OPEN



— SIDE VIEW —



— END VIEW —

DESCRIPTION OF APPLICATION

Used as a means of Side Wall Venting commercial gas appliances. Used also to co-vent multiple heaters within combined BTU/hr. input listed below (requires accessory controls). Includes a Fan Proving Switch and the UC1-1HP Universal Control for 24V, 115V or "dry contact" actuation. LED diagnostics and Pre / Post-purge options are standard with the UC1-1HP.

HS-5 (Discontinued 7/02)

Replace with model HS5.

Note: Tjernlund Products, Inc. reserves the right to make changes to specifications without notification.

MODEL NUMBERS	VENT PIPE DIA.	BTU/HR INPUT	MAXIMUM PIPE LENGTH (FT) AT STACK TEMP	
			100% DILUTION, 300°F	25% DILUTION, 400°F
			GAS FIRED ATMOSPHERIC WITH DRAFT HOOD OR DRAFT DIVERTER	GAS FIRED POWER BURNER WITH BAROMETRIC DRAFT CONTROL
HS5 115/208/230 VAC 1 HP 6.2 AMP @ 208 6.3 AMP @ 230 12.6 AMP @ 115	10"	1,200,000	100'	100'
		1,400,000	100'	100'
		1,600,000	100'	100'
	12"	1,825,000	29'	100'
		1,200,000	100'	100'
		1,400,000	100'	100'
	14"	1,600,000	100'	100'
		1,825,000	100'	100'
		1,825,000	100'	100'