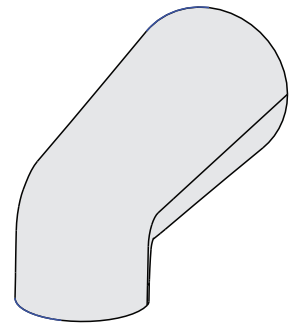




# Tub Spout 067

## Specification Submittal

Location:



### Model Numbers

- 067 Tub Spout

### Finish Options

Append appropriate -suffix to model number.

- STN Satin nickel finish
  - Polished chrome finish (standard)

### Feature Highlights

- 7 inch tub spout
- 1/2 inch IPS connection, Zinc
- Polished chrome finish (standard)

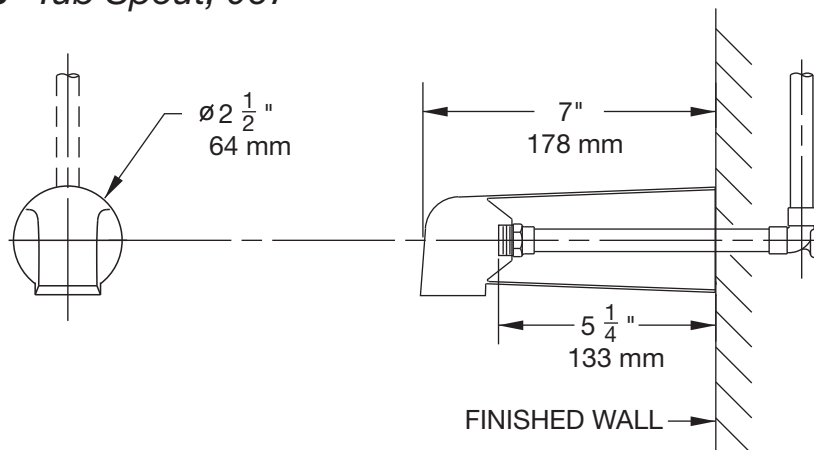
### Standards / Certifications

ASME A112.18.1; CSA B125.1

### Warranty

- Limited Lifetime - to the original end purchaser in residential / consumer installations.
- 5 years - for commercial installations

### Dimensions Tub Spout, 067



**Note:** Dimensions subject to change without notice.

Symmons Industries, Inc. ■ 31 Brooks Drive ■ Braintree, MA 02184  
(800) 796-6667, (781) 848-2250 ■ Fax (800) 961-9621, (781) 664-1300  
Website: [www.symmons.com](http://www.symmons.com) ■ Email: [customerservice@symmons.com](mailto:customerservice@symmons.com)

©2014 Symmons Industries, Inc. Printed in U.S.A. ■ 120514

