



# ZE-1203-N4 ADJUSTABLE HORIZONTAL SIPHON JET NO-HUB

SPECIFICATION SHEET

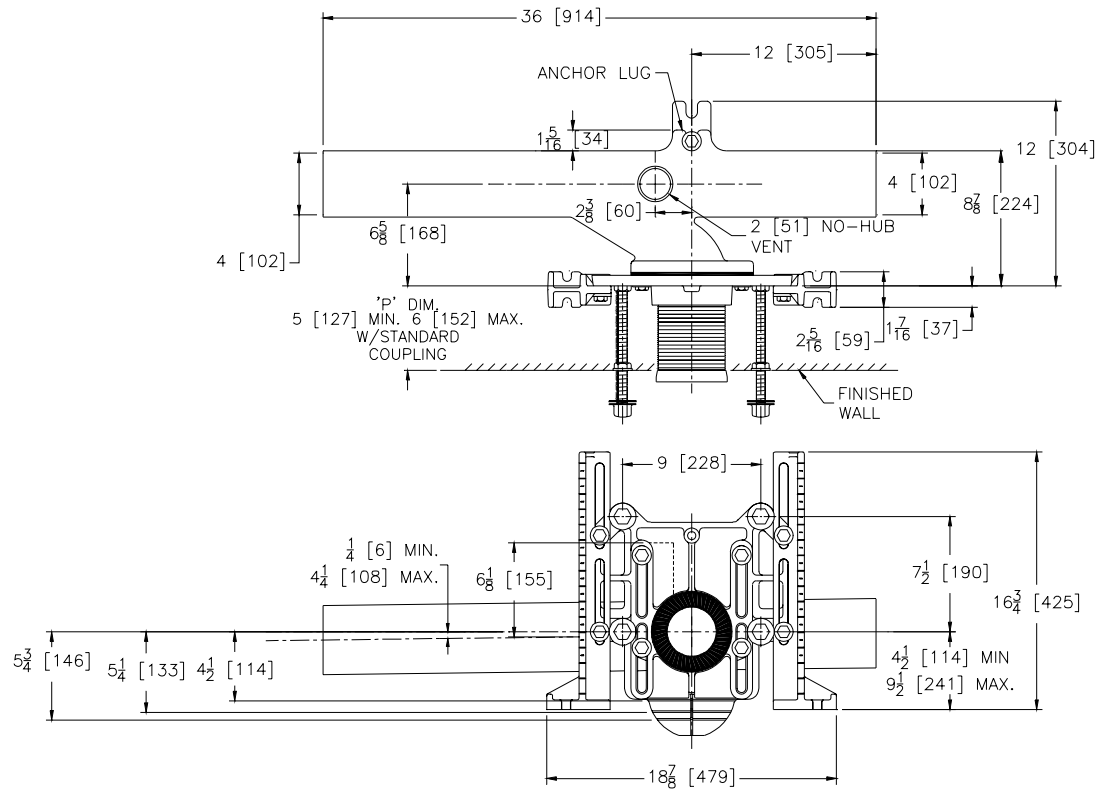
TAG \_\_\_\_\_

Dimensional Data (inches and [ mm ]) are Subject to Manufacturing Tolerances and Change Without Notice

Product No.	Approx. Wt. Lbs. [kg]
ZE-1203-NL4	84[38]
ZE-1203-NR4	

**Note:**

1. Min. 'P' Dim. Obtainable=
2. Feet bolted to floor using dia. bolts and back slots
3. Back anchor foot require



**ENGINEERING SPECIFICATION:** ZURN ZE-1203-() Adjustable, horizontal siphon jet water closet "Rigid System" with 4[102] No-Hub connections. Complete with Dura-Coated cast iron right hand, left hand, or double main fitting, with 2[51] vent, adjustable gasketed faceplate, universal floor mounted foot supports, corrosion resistant adjustable ABS coupling with integral test cap, fixture bolts, trim, and stud protectors. Rear anchor tie down and bonded "Neo-Seal" gasket

**PRODUCT/DEFINITION**

- \_\_\_\_\_ **ZE-1203-NR4** 4[102] No-Hub Right Hand Inlet with Flow to Left
- \_\_\_\_\_ **ZE-1203-NL4** 4[102] No-Hub Left Hand Inlet with Flow to Right

**PREFIXES**

- \_\_\_\_\_ **ZE-** D.C.C.I. Elongated Fitting System with Zurn "ZZ" Adjustable Coupling\*
- \_\_\_\_\_ **ZEQ-** D.C.C.I. Elongated Fitting System with NPT Face Plate, Non-Adjustable Coupling

**SUFFIXES**

- |   |  |
|---|--|
| <ul style="list-style-type: none"> <li>_____ <b>-A</b> Auxiliary Support Assembly<br/>(For P-Dim. greater than 18[457])</li> <li>_____ <b>-B</b> Blowout Type Fixture Support</li> <li>_____ <b>-BC</b> Back Cleanout</li> <li>_____ <b>-CC</b> Corrosion Resistant Cast Iron Coupling (6 [152] to 12 [305])</li> <li>_____ <b>-CL</b> Coupling Length Greater than 12[305]<br/>(Specify length required)</li> <li>_____ <b>-F</b> Floor Mounted, Back Outlet Fixture Support</li> <li>_____ <b>-G</b> Galvanized Cast Iron</li> <li>_____ <b>-M</b> Auxiliary Foot Support (For P-Dim. 10[254]-18[457])</li> <li>_____ <b>-VP</b> Vandal Proof Trim</li> <li>_____ <b>-W</b> Adapter for Womens Urinal</li> <li>_____ <b>-XH</b> Extra-Heavy-Duty 500-Lb. [227 kg.] Carrier</li> </ul> | <ul style="list-style-type: none"> <li>_____ <b>-X3</b> 3" [76] Foot Extension Assembly</li> <li>_____ <b>-X4</b> 4" [102] Foot Extension Assembly</li> <li>_____ <b>-29</b> Mechanical Test Cap Assembly</li> <li>_____ <b>-45</b> Finishing Frame for Siphon Jet System<br/>(For Blowout System specify -45-B)</li> <li>_____ <b>-50</b> Flush Valve Supply Support for W.C.</li> <li>_____ <b>-61</b> "ZZ" Coupling Wrench</li> </ul> |
|---|--|

\*REGULARLY FURNISHED UNLESS OTHERWISE SPECIFIED

<b>REV. I</b>	<b>DATE: 1/19/00</b>	<b>C.N. NO. 84279</b>
<b>DWG. NO. 57452</b>	<b>PRODUCT NO. ZE-1203-N4</b>	

ZURN INDUSTRIES, INC. ♦ SPECIFICATION DRAINAGE OPERATION ♦ 1801 Pittsburgh Ave. ♦ Erie, PA 16514

Phone: 814/455-0921 ♦ Fax: 814/454-7929 ♦ World Wide Web: www.zurn.com

In Canada: ZURN INDUSTRIES LIMITED ♦ 3544 Nashua Drive ♦ Mississauga, Ontario L4V1L2 ♦ Phone: 905/405-8272 Fax: 905/405-1292