

### Features

- Kinesis™ technology with concealed sensor allows for a clean aesthetic and provides extraordinarily accurate and reliable actuation in varying installation environments.
- Below-counter valving reduces the faucet footprint and provides easier service.
- Design-forward aesthetic for commercial bathroom spaces.
- 0.5 gpm (1.9 lpm) maximum flow rate.
- Requires K-13480 single or K-13481 multiple AC adapter unit.
- On-demand usage with 30-second max. continual run cycle to prevent vandalism and save water.
- Vandal-resistant laminar outlet.
- 18" (457 mm) stainless steel braided flexible supply hose for easy installation.
- 8-1/8" (206 mm) spout reach.
- Grid drain.
- Concealed mechanical mixer sold separately.
- Complies with the Safe Drinking Water Act (SDWA).
- Includes spout assembly, grid drain, control box assembly, supply hose and standard mounting hardware.

### Material

- Brass spout.
- Cast brass valve.

### Technology

- Kinesis™ sensor technology offers on-demand detection for maximum water savings.

### Installation

- Wall-mount.

### Recommended Products/Accessories

K-23726 Drain treatment  
K-23723 Faucet cleaner

### Included Components

Additional Components:  
K-7129-A Drain



**ADA** **CSA B651** **OBC**

### Codes/Standards

ASME A112.18.1/CSA B125.1  
NSF/ANSI 61  
NSF/ANSI 372  
All applicable US Federal and State material regulations  
DOE - Energy Policy Act 1992  
California Energy Commission (CEC)  
ADA  
ICC/ANSI A117.1  
CSA B651  
OBC

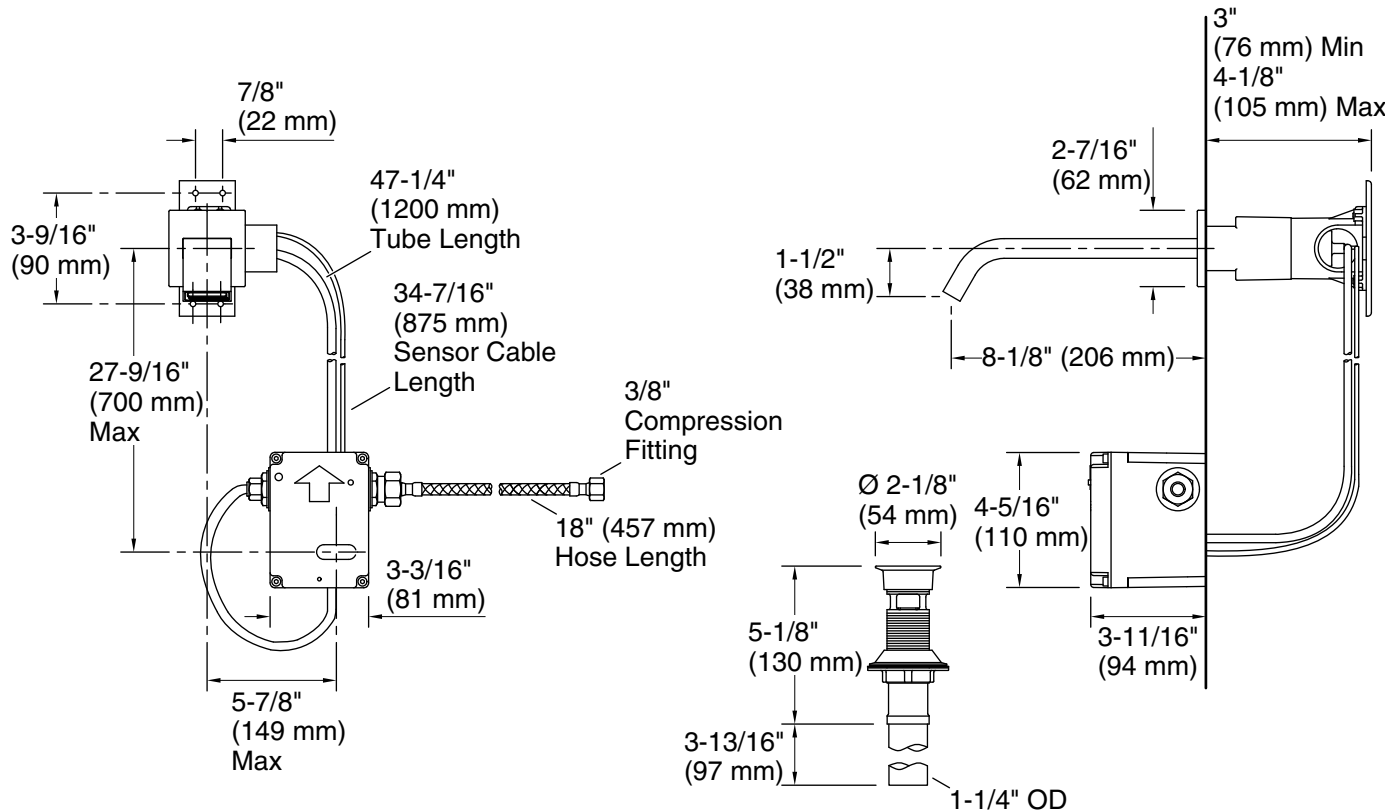
### KOHLER® One-Year Limited Warranty

See website for detailed warranty information.

### Available Colors/Finishes

*Color tiles intended for reference only.*

Color	Code	Description
	CP	Polished Chrome



### Required Electrical Service

One dedicated circuit required, protected with Class A Ground-Fault Circuit-Interrupter (GFCI). Outside North America, this device may be known as a Residual Current Device (RCD).  
120/240 V, 50/60 Hz

### Technical Information

All product dimensions are nominal.

Power source: Hardwire - AC and Plug - AC, not included

### Faucet:

Flow rate: 0.5 gal/min (1.9 l/min)

Pressure: 60 psi (4.1 bar)

Valve body: Cast brass

Drain included: Yes

### Notes

Install this product according to the installation instructions.

ADA, OBC, CSA B651 compliant when installed to the specific requirements of these regulations.