



**Dearborn®  
Brass**

4675 W. 160th St.  
Cleveland, Ohio 44135  
Ph: (800) 321-9532  
Fax: (800) 321-9535  
www.dearbornbrass.com

**SUBMITTAL SPECIFICATION**

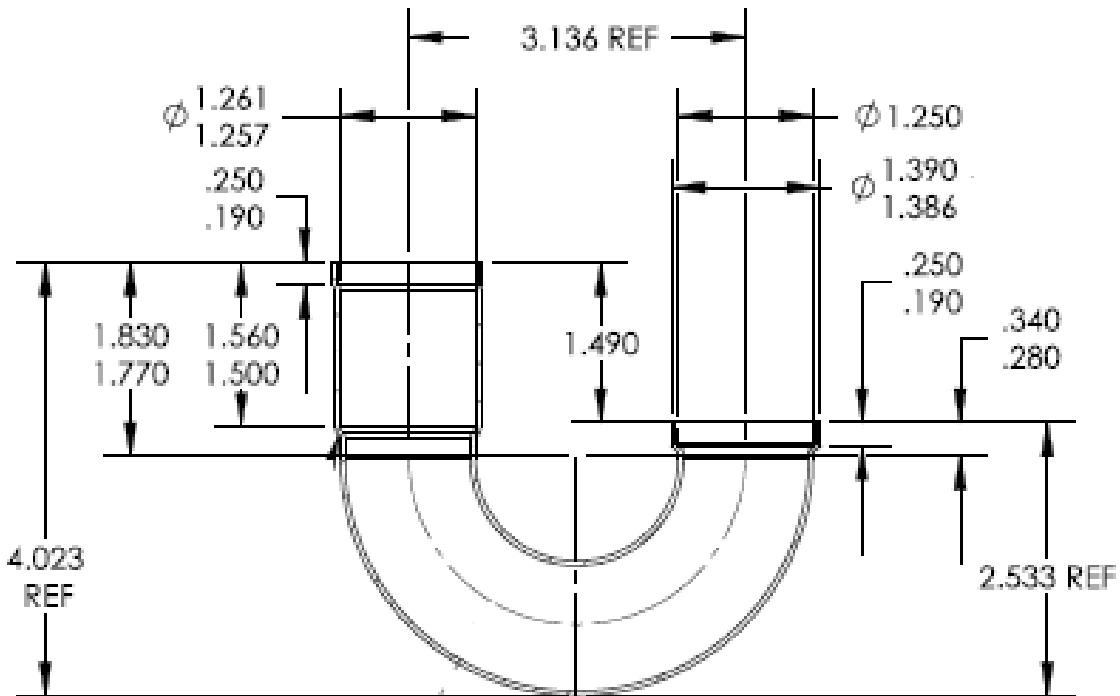
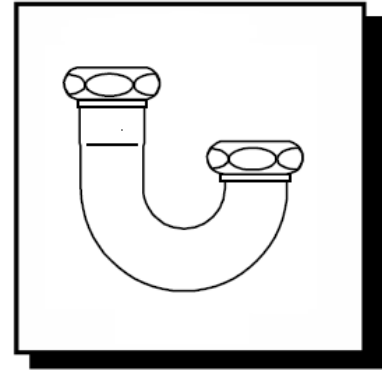
**BRASS TUBULAR  
1-¼" J-BENDS**

**Engineering Specification:** Dearborn Brass 1-¼" Brass Tubular J-Bends are designed for use in tubular drain applications. Available in 17, 20 or Budget Gauge Brass.

**Job Reference**

**DESCRIPTION**

- Chrome Plated
- J-Bend
  - J-Bend
  - (2) Zinc Nuts
  - (2) Rubber Washers



✓	Product No.	Description	Carton Quantity	Carton Weight (lbs)
	2650-1	1-¼" J-Bend – Budget Gauge	10	4
	650-1	1-¼" J-Bend – 20 Gauge	10	5
	652-1	1-¼" J-Bend – 17 Gauge	10	6

Data is subject to manufacturing tolerances.