



Ensemble™

60" x 32" Shower Receptor

72181110



Features

- 3-1/2" threshold
- Solid Vikrell material
- Durable high-gloss finish with molded-in textured floor
- Left drain
- Suitable for tile-down application
- Compatible with Ensemble walls (series 7218)

Recommended Accessories

- 80001012 12" Grab Bar
- 80001018 18" Grab Bar



Codes/Standards



CSA B45.5/IAPMO Z124
Greenguard UL 2818 - Gold
HUD, UM Bulletin 73

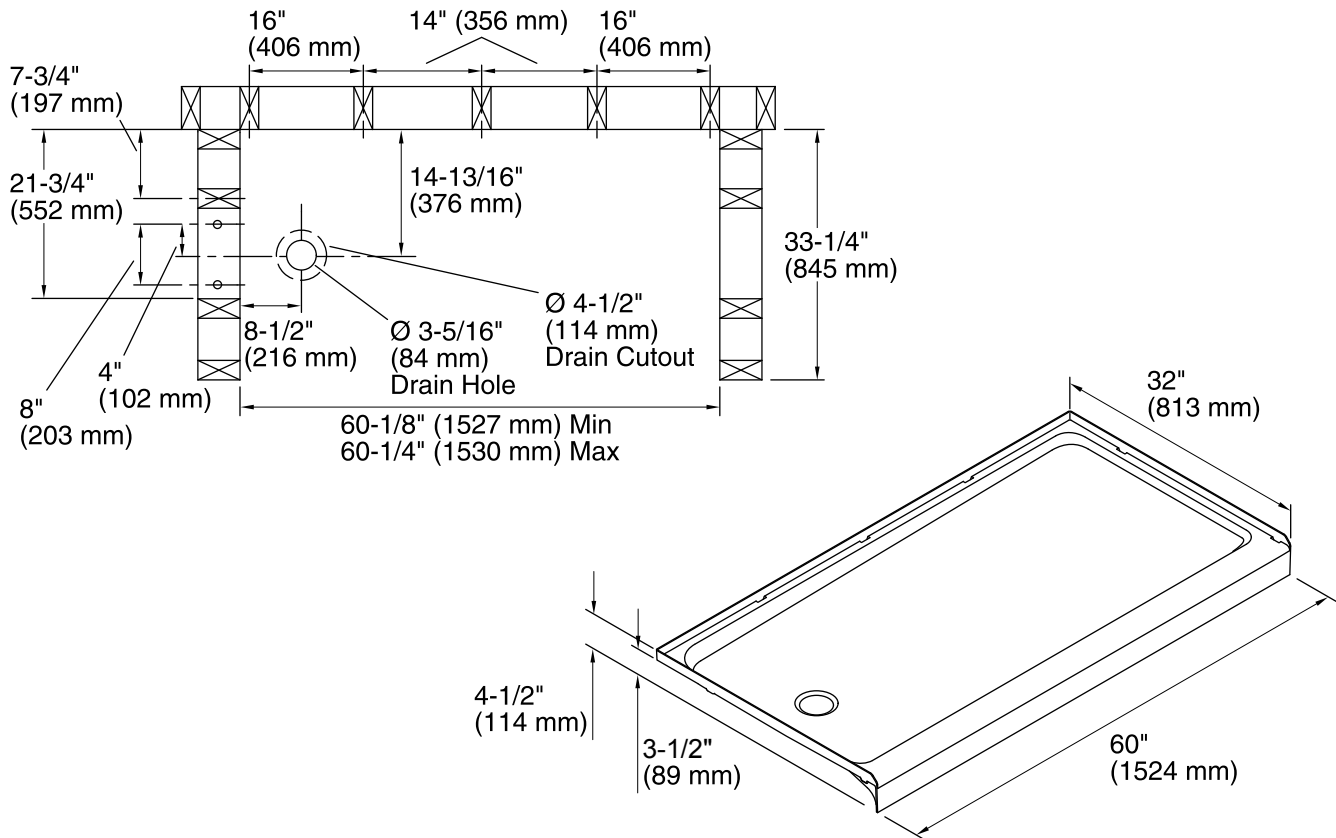
Warranty – Bathing Fixtures (and) Kitchen and Utility Sinks Made of Solid Vikrell® Material

See website for detailed warranty information.

Available Color/Finishes

Color tiles intended for reference only.

Color	Code	Description
	0	White
	96	KOHLER Biscuit



Technical Information

All product dimensions are nominal.

Installation: 3-Wall Alcove

Drain location: Left

Weight: 35.6 lbs (16.1 kg)

Notes

Install this product according to the installation instructions.

Studs should be positioned roughly as shown.

Double studding is recommended for pivot shower door installations.