

GSA3(M,Q)D Series

High Efficiency Air Conditioner 13.4 SEER2 Manufactured Housing System 2 – 4 Ton Capacity

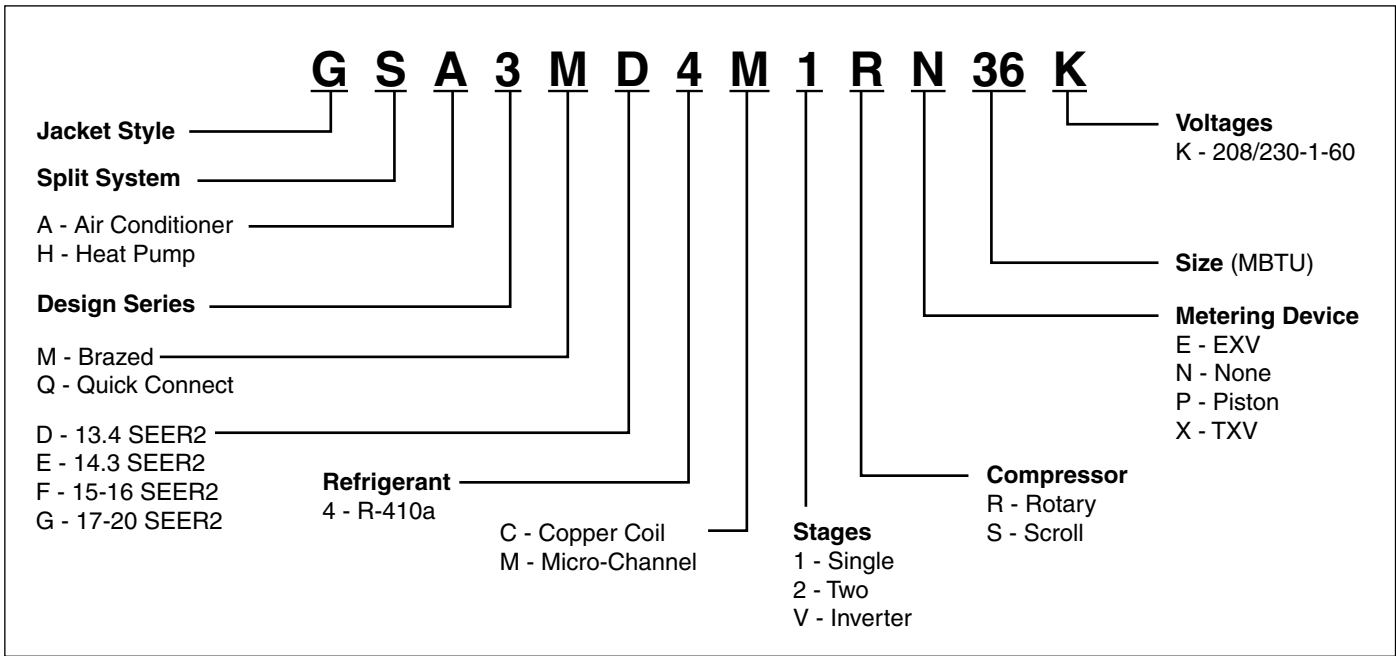
The GSA3(M,Q)D Series of air conditioners offer exceptional performance. The unit, when combined with our engineered coils or air handlers, offers a full line of quality, split system cooling equipment.



FEATURES and BENEFITS

- **QD Models Offer Quick Connect Fittings:** Simplify the installation, no brazing, no evacuation required. Charged with refrigerant for 15 feet of lineset.
- **MD Models Offer Full Service Valves:** These brass valves are easily accessible and simplify servicing of the refrigeration system. Charged with refrigerant for 20 feet of lineset.
- **Designed Using Galvanized Steel:** A powder-coated paint that eliminates sharp edges and reduces corrosion, fading, chipping and scratching. It passes 950 hours of salt spray per ASTM Std. B117.
- **Composite Base Pan:** Absorbs sound and is corrosion resistant. Composite is also stronger and lighter than steel.
- **Permanently Lubricated Motor:** A heavy duty PSC motor for long lasting reliability and quiet operation. Requires no maintenance and is completely protected from rain and snow.
- **Removable Top Grille Assembly:** Allows ease of service from the top without disconnecting fan motor leads.
- **High Pressure Switch:** Protects against abnormally high system pressures. Auto-reset feature prevents nuisance service visits.
- **Liquid Line Filter Drier:** Included with unit, factory installed on QD and field installed on MD models.
- **One Piece Top/Orifice:** Designed for maximum airflow and quiet operation.
- **Easy Compressor and Control Access:** Designed to make servicing easier for the contractor, access panels are provided to all controls and the compressor from the side of the unit.
- **All-Aluminum coils:** Aluminum coils in all models which provides high corrosion resistance.
- **Powder Coated Wire Guard and Mesh Hail Guard:** Will never rust and protects the coil from being damaged by balls, lawnmowers, hail, etc.

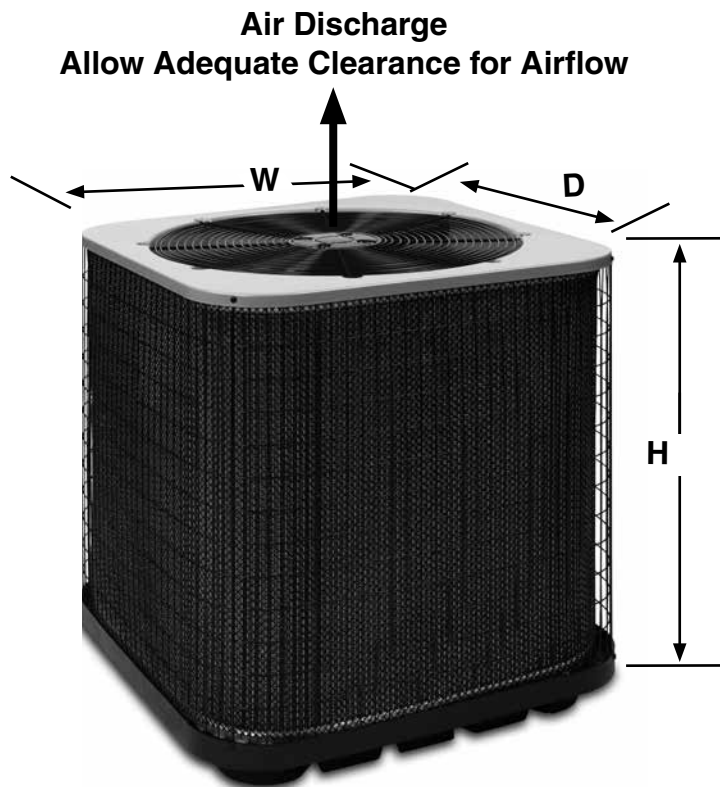
MODEL IDENTIFICATION CODES



DIMENSIONS

AIR CONDITIONER OUTDOOR SECTION

GSA3(M,Q)D	24K	30K	36K	42K	48K
H	30.75	38.75	38.75	30.75	34.75
W	27.5	27.5	27.5	35.5	35.5
D	27.5	27.5	27.5	35.5	35.5



PHYSICAL AND ELECTRICAL SPECIFICATIONS / OUTDOOR UNITS

13.4 SEER2 — High Efficiency — Single Phase

Model Number GSA3(M,Q)D		1RN24K	1RN30K	1SN36K	1SN42K	1SN48K
Electrical Data	Volts-Cycles-Phase (1)	208/230-60Hz Single Phase				
	Delay Fuse Max. (2)	20	25	30	40	40
	Min. Circuit Ampacity	12.2	14.7	17.7	24.7	32.7
	Locked Rotor Amp	43.0	57.0	83.1	110.0	105.3
	Fan Motor	1/10	1/10	1/4	1/4	1/4
Refrigerant suction line O.D. NOTE: Liquid line is 3/8" O.D. for entire length.	0-24 ft.	3/4	3/4	3/4	7/8 (3)	7/8 (3)
	25-39 ft.	3/4	3/4	7/8 (3)	7/8 (3)	7/8 (3)
	40-75 ft.	3/4	3/4	7/8 (3)	7/8 (3)	7/8 (3)
Approximate Weight (lbs.)	Ship	117	133	135	176	181
Sound Rating dBA		74	75	74	79	79

(1) Operating Voltage Range: 187v min. - 253v max.

(2) HACR Type Circuit Breakers may be used.

(3) Requires 7/8" to 3/4" reducer from line to unit.

(4) Requires 7/8" to 1-1/8" reducer from line to unit.

ACCESSORIES - Condensing Unit

Start Assist Kit - 912933

Provides additional starting torque for the compressor motor when operating with low line voltage or high operating temperatures.

Low Ambient Kit - 918837

SYSTEM COOLING CAPACITIES

13.4 SEER2 — High Efficiency — Single Phase

AHRI Ratings						
Outdoor Unit	Indoor Unit	Coil Height	Cooling Capacity @ 95° F	SEER	EER @ 95° F	CFM
GSA3MD4M1RN24K	C84DAMX24U-B	18"	23,000	13.4	11.0	850
GSA3MD4M1RN30K	C84DAMX30U-B	18"	29,000	13.4	11.0	1000
GSA3MD4M1SN36K	C84DAMX36U-B	18"	34,800	13.4	11.0	1165
GSA3MD4M1SN42K	C84DAMX42U-B	18"	40,000	13.4	11.0	1220
GSA3MD4M1SN48K	C84DAMX48U-B	24"	45,500	13.4	11.0	1400
GSA3QD4M1RN24K	C84QAMX24U-B	18"	23,000	13.4	11.0	850
GSA3QD4M1RN30K	C84QAMX30U-B	18"	29,000	13.4	11.0	1000
GSA3QD4M1SN36K	C84QAMX36U-B	18"	34,800	13.4	11.0	1165
GSA3QD4M1SN42K	C84QAMX42U-B	18"	40,000	13.4	11.0	1220
GSA3QD4M1SN48K	C84QAMX48U-B	24"	45,500	13.4	11.0	1400

See current AHRI Directory for certified combinations and ratings. All ratings are with time delay relay.
www.ahridirectory.org



GENERAL TERMS OF LIMITED WARRANTY

Nortek Global HVAC, LLC will furnish a replacement for any part of this product which fails in normal use and service within the terms and conditions of the warranty.

For complete details of the Limited Warranty, including applicable terms and conditions, see your local installer or contact the Nortek Global HVAC, LLC warranty department for a copy.

Before purchasing this appliance, read important energy cost and efficiency information available from your retailer. Specifications and illustrations subject to change without notice and without incurring obligations. Printed in U.S.A (08/2022)