

FIRE-RATED ICE MAKER OUTLET BOX

» 696R SERIES

OxBox™

SPECIFICATION

Sioux Chief 696R series supply OxBox™ shall be used where necessary in residential or commercial plumbing supply systems. Access box can be secured directly to vertical stud or between studs using galvanized bracket. Supply line can be installed from above or below. Arrester variations can be installed with arrester at any angle. Unit shall be available with ¼-turn valves. Metal support bracket shall install into top/bottom tracks of box. Outlet connection shall be generally ¼". Outlet connections should generally be provided with a test/tamper-resistant cap. Every unit shall include a debris cover for protection during rough-in. Valves will be plated.

MATERIALS

Valve body: no-lead, brass¹

Valve Shank: no-lead brass¹/copper/PPSU/CPVC, 304SS grip ring

Outlet box: ABS

Frame: fire-rated ABS

Frame extension*: fire-rated ABS

Arrester body: stainless steel, C69300 NL brass¹

Arrester piston: GFPP with EPDM o-rings

Bracket: galvanized steel

*696-EX available separately. Used with two layers of drywall for 2-hour specifications

VALVE/ARRESTER WORKING LIMITS

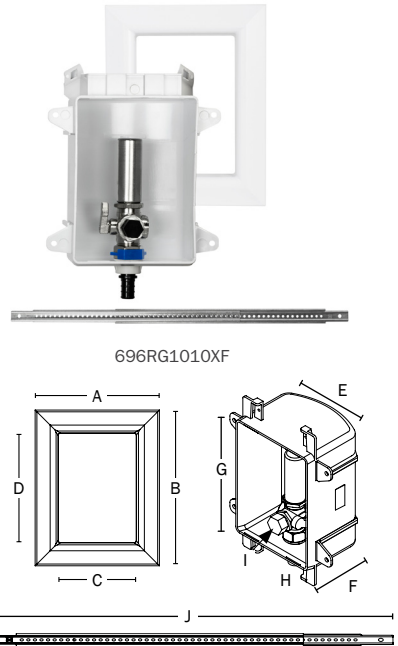
Max working temperature: 200°F

Max air/water testing & working pressure: 150 PSIG

DIMENSIONS

A: Frame width	5¾"
B: Frame height	7¼"
C: Frame opening width	3⅝"
D: Frame opening height	5⅛"
E: Rough-in box inner width	4" (single box)
F: Rough-in box overall depth	3½"
G: Rough-in box inner height	5½"
H: Supply connection	½" nominal (see 'B' below)
I: Outlet connection	¼" compression
J: Bracket length	18"

ITEM # SUBMITTED	_____
JOB NAME	_____
LOCATION	_____
ENGINEER	_____
CONTRACTOR	_____
PO#	_____ TAG _____



CERTIFICATIONS/APPROVALS

Box and valves are IAPMO listed

Conforms to IPC

Listed by Warnock Hersey to meet:

ASTM E-814, CAN/ULC S115

2 hours (F), 31 minutes (T) for 2-hour design

1 hour (F), 31 minutes (T) for 1-hour design

ASTM E-119, UL 1479

System design number:

SC/WA120, W/N 14409

Valve meets ASME A112.18.1

ASSE 1010 Arresters*

NSF-372 compliant¹



Create Item Number

696RG10A0BF

e.g. **696RG1010MF:** Fire-rated ice maker box, MIP/F.SWT valve with arrester, frame included

ARRESTER **A**

- 0** = No arrester
- 1** = With arrester*

SUPPLY CONNECTION **B**

- C** = ½" Male CPVC
- M** = ½" MIP/F.SWT
- P** = ½" Male sweat/press/push
- V** = ½" Viega PureFlow® PEX
- W** = ½" PEX F1960 Grip™
- X** = ½" PEX F1807/2159 Crimp™

Available Separately:

696-EX: Frame extension

¹Material is C69300 dezincification and SCC resistant, and is compliant with NSF-61 Annex G and California No Lead Plumbing Law

FIRE-RATED OXBOX

DESIGN SPECIFICATION

1. WALL CONSTRUCTION

- a. Wood or metal stud construction, max 100 in.² of penetrations per 100 ft² of wall.
- b. 16" or 24" on-center stud construction.
- c. Can be installed with a gap between front and back wall assemblies (UL Design # U341) (Figure 2).
- d. Single-layer 5/8" gypsum construction with 1-hour fire rating.
- e. Double-layer 5/8" gypsum construction with 2-hour fire rating. Frame extensions can be used.
- f. Boxes cannot be installed back to back.

2. PIPE/BOX SUPPORT

- a. Each outlet box shall be installed in a separate stud bay and attached to the stud (Figure 3 & 4). Fire rating does not apply to installations of two or more boxes in the same stud bay.
- b. Supplied support bar.
- c. Supply lines to be installed using ordinary methods.
- d. Drain line to be supported using ordinary methods.

3. PIPE MATERIAL

- a. 2" or larger metallic, PVC, or ABS DWV pipe.
- b. Metallic or plastic water supply pipe.

4. FIRESTOP DEVICE

Sioux Chief fire-rated OxBox uses fire-rated resin. Boxes have 4" x 4" intumescent adhesive pads factory installed on the back of boxes.

NOTE: Gaps up to 1/2" around box can be sealed with drywall plaster. Larger gaps require firestop sealant applied to opening spanning entire drywall depth

FIGURE 1

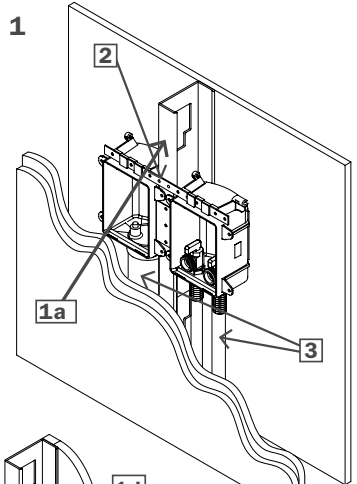
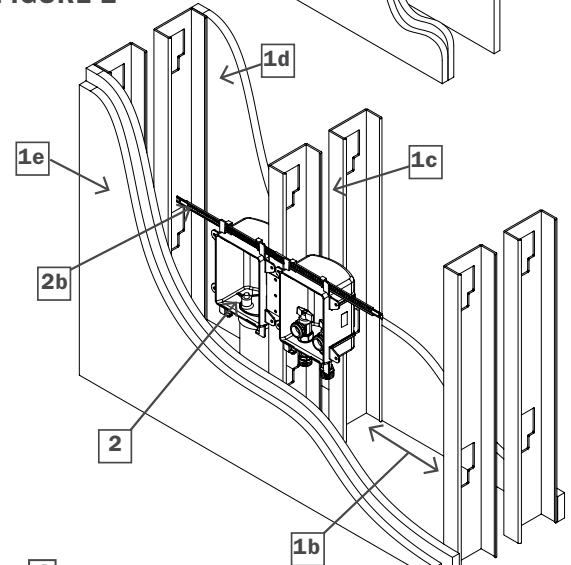


FIGURE 2



4

Fire-rated ABS

UL D.#U341

"over stud" installation

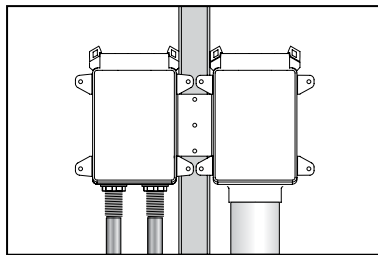


FIGURE 3

"separate stud bay" installation

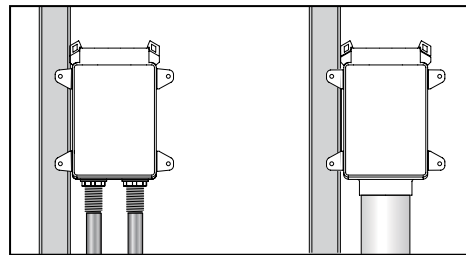
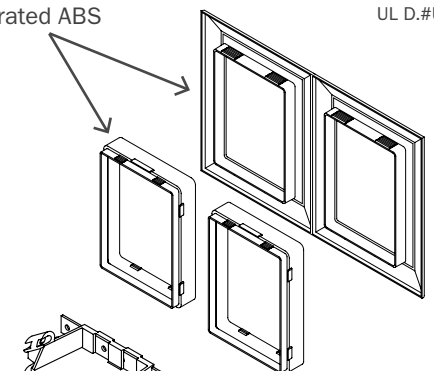


FIGURE 4



Intumescent pads

THE FIRE-RATED OXBOX IS CERTIFIED BY INTERTEK/WARNOCK HERSEY TO THE FOLLOWING FIRE RATING STANDARDS:

ASTM E-814

2 hours (F), 1½" hours (T)
for 2-hour design
1 hour (F), 31 mins (T)
for 1-hour design

ASTM E119

CAN/ULC S115

2 hours (F), 1½" hours (T)
for 2-hour design
1 hour (F), 31 mins (T)
for 1-hour design

UL 1479



SCM SPEC ID
23320