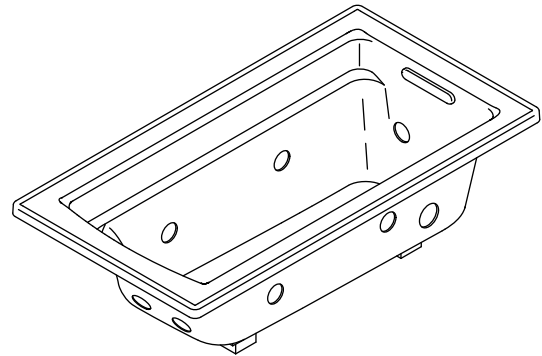


Features

- Acrylic
- 8 color-matched Kohler hydro-massage jets
- Pump with air switch and grounding-type plug-in cord
- In-line heater
- Integral lumbar support
- Slotted overflow for maximum bathing depth
- Low threshold height
- Armrests
- 60" (1524 mm) x 32" (813 mm) x 19" (483 mm)

5' BATH WHIRLPOOL WITH HEATER K-1122-H

ADA



Codes/Standards Applicable

Specified model meets or exceeds the following:

- ADA
- ICC/ANSI A117.1
- CSA B45.5/IAPMO Z124
- ASME A112.19.7
- ASTM E162
- ASTM E662
- UL 1795

Colors/Finishes

- 0: White
- Other: Refer to Price Book for additional colors/finishes

Accessories

- CP: Polished Chrome
- Other: Refer to Price Book for additional colors/finishes

Specified Model

Model	Description	Colors/Finishes	
K-1122-H	Drop-in bath whirlpool with heater	<input type="checkbox"/> 0	<input type="checkbox"/> Other_____
Required Accessories			
K-7271	Clearflo slotted overflow brass bath drain OR	<input type="checkbox"/> CP	<input type="checkbox"/> Other_____
K-7272	Clearflo slotted overflow bath drain – PVC pipe	<input type="checkbox"/> CP	<input type="checkbox"/> Other_____

Product Specification

The acrylic bath whirlpool shall be 60" (1524 mm) in length, 32" (813 mm) in width, and 19" (483 mm) in height. Bath whirlpool shall have 8 color-matched jets and armrests. Bath whirlpool shall have pump with air switch and grounding-type plug-in cord, and an in-line heater. Bath whirlpool shall have slotted overflow for maximum bathing depth, low threshold height, and integral lumbar support. Bath whirlpool shall be Kohler Model K-1122-H-_____.

ARCHER™

Technical Information

Fixture*:	
Bathing well	
Basin area, bottom	45-1/8" (1146 mm) x 19-11/16" (500 mm)
Basin area, top	52-3/4" (1340 mm) x 25-5/16" (643 mm)
Weight	110 lbs (50 kg)
To overflow	
Water depth	15" (381 mm)
Capacity	58 gal (219.5 L)
* Approximate measurements for comparison only.	

Drop-in cutout	58-1/2" (1486 mm) x 30-1/2" (775 mm)
----------------	--------------------------------------

Pump:		V	Hz	A
1-speed		120	60	7
Heater:	kW	V	Hz	A
	1.5	120	60	12.5
Pump is supplied with 24" (610 mm) grounding-type plug-in cord.				

Required Electrical Service

Two dedicated circuits required, each protected with Class A Ground-Fault Circuit-Interrupter (GFCI):	
Pump/control	120 V, 15 A, 60 Hz
Heater	120 V, 15 A, 60 Hz

Installation Notes

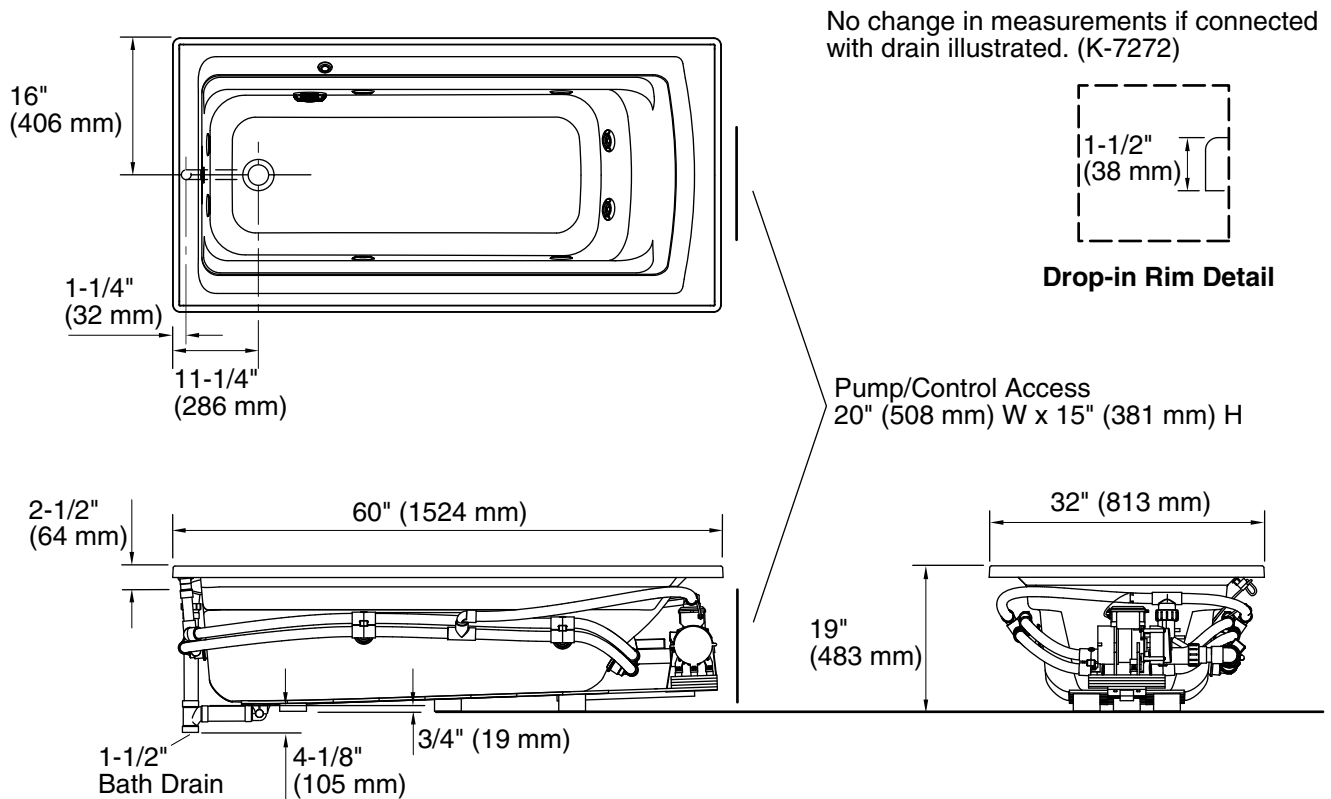
Install this product according to the installation guide.

Floor support under this product must provide for a minimum of 46 lbs/square foot (227 kg/square meter) loading.

This product is designed for drop-in installation only. It is not suited for use in a three-wall alcove with an overhead shower.

The hot water supply should be 70% of the capacity of the bath or greater. Installations will vary.

Will comply with **ADA** when installed per Section 607 Bathtubs of the Act.



Product Diagram