

Features

- Siphon jet urinal.
- 3/4" top spud.
- 0.5 or 1.0 gpf (1.9 or 3.8 lpf) based on valve selected.
- Siphon jet.
- 3/4" top spud.
- Includes inlet and outlet spuds and hangers.
- Includes anti-backsplash wall.
- 14-1/2"(368 mm) extended rim.
- 0.5 gpf (1.9 lpf) or 1.0 gpf (3.8 lpf).

Material

- Vitreous china.

Water Conservation & Rebates

- WaterSense® compliant when used with WaterSense flushometer.

Recommended Products/Accessories

- K-10675 WAVE DC 0.5 GPF Urinal Flushometer
- K-10958 Tripoint™ DC 0.5 GPF Urinal Flushometer
- K-10961 Tripoint™ DC 1.0 GPF Flushometer
- K-13521 Manual 1.0 GPF Urinal Flushometer

Included Components

Additional Components:

- 2" Outlet Spud
- 3/4" Inlet Spud
- Hanger (2 Required)



ADA

Codes/Standards





- ASME A112.19.2/CSA B45.1
- DOE - Energy Policy Act 1992
- EPA WaterSense®
- California Energy Commission (CEC)
- ADA
- ICC/ANSI A117.1

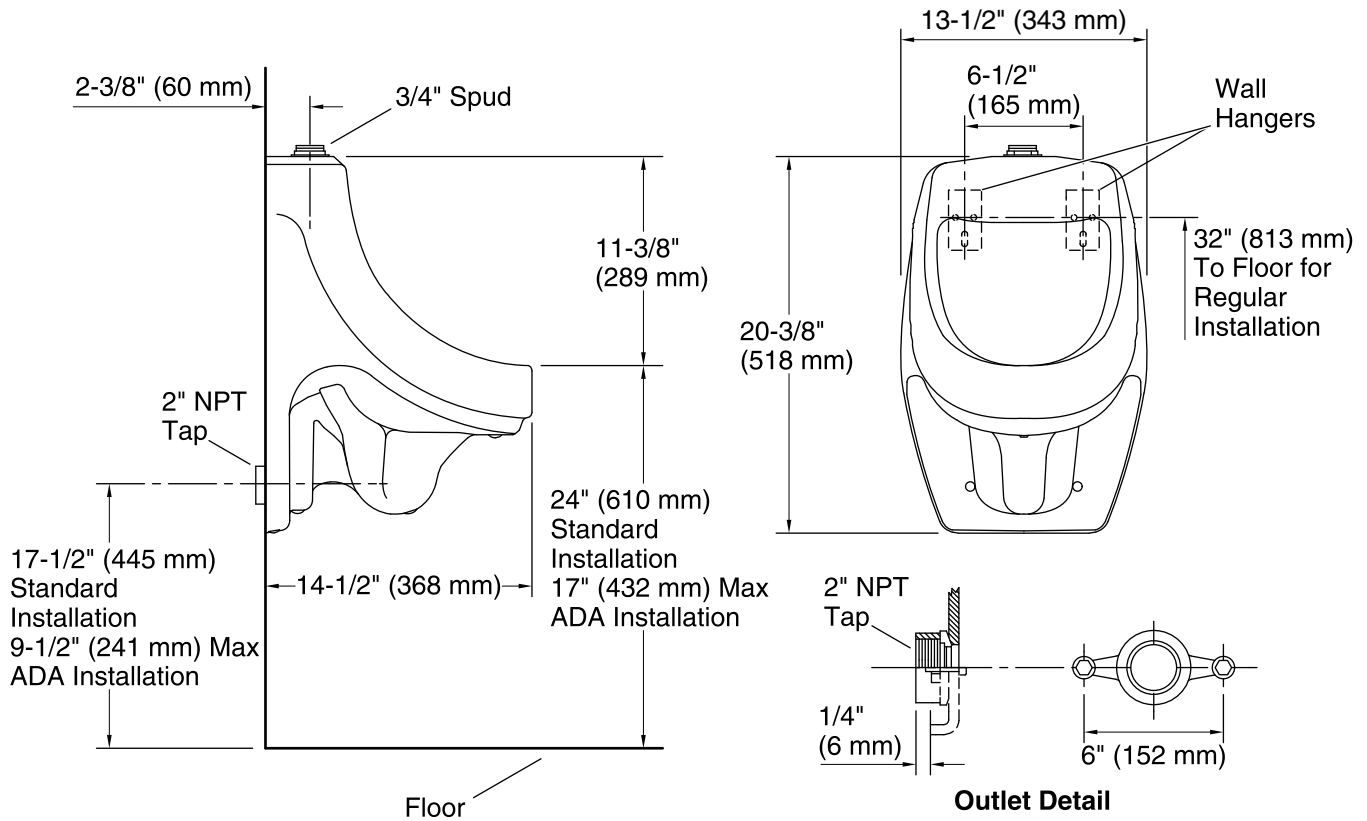
KOHLER® One-Year Limited Warranty

See website for detailed warranty information.

Available Colors/Finishes

Color tiles intended for reference only.

Color	Code	Description
	0	White
	96	Biscuit
	47	Almond
	7	Black Black™



Technical Information

All product dimensions are nominal.

Flush outlet technology: Siphon jet

Spud size: 3/4", Inlet, Top

Max. Water per Flush: 0.5 gal (1.9 L)

Notes

Install this product according to the installation guide.

Refer to manufacturer's instructions and local codes for flushometer requirements.

Recommended ADA outlet spud height will account for normal product variation.

For ADA compliance, measurement must be 17" (432 mm) or less from the floor to the top of the lip.

ADA compliant when installed to the specific requirements of these regulations.