

Central Brass

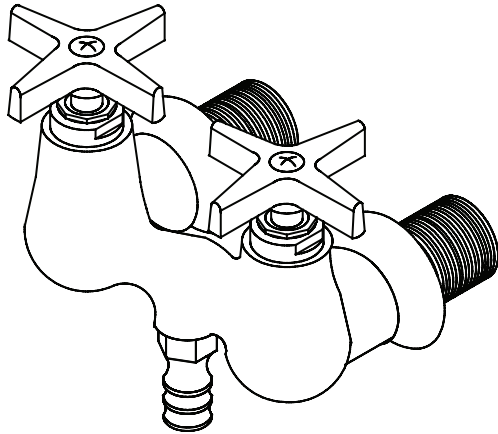
C O M P A N Y

Brecksville, Ohio 44141

Phone: (216) 883-0220 Fax: (440) 526-5745

www.CentralBrass.com

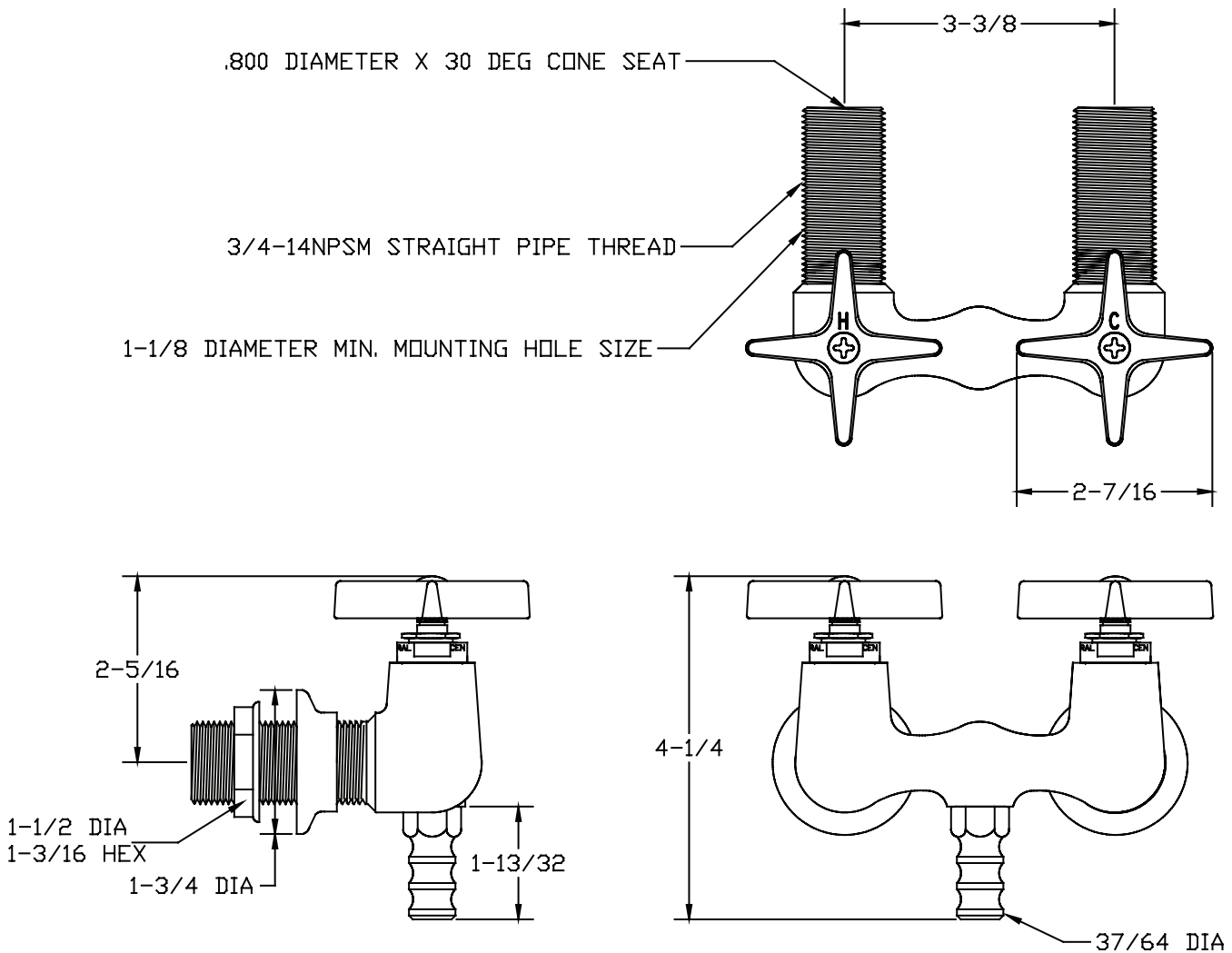
MODEL NO. 0210-Q
LEG TUB FITTING



The leg tub fitting has a cast brass body with replaceable seats. The fitting body and spout are polished and chrome plated. The outlet spout is designed for a push on hose connection. The spout fits hose with a 1/2-inch inside diameter. The Quick-Pression quarter-turn compression stems are all brass with a double O-Ring seal and rubber seat washer. The handles are zinc die cast with a chrome plated finish.

ASME A112.18.1M

Installation Drawing



Central Brass

C O M P A N Y

Brecksville, Ohio 44141

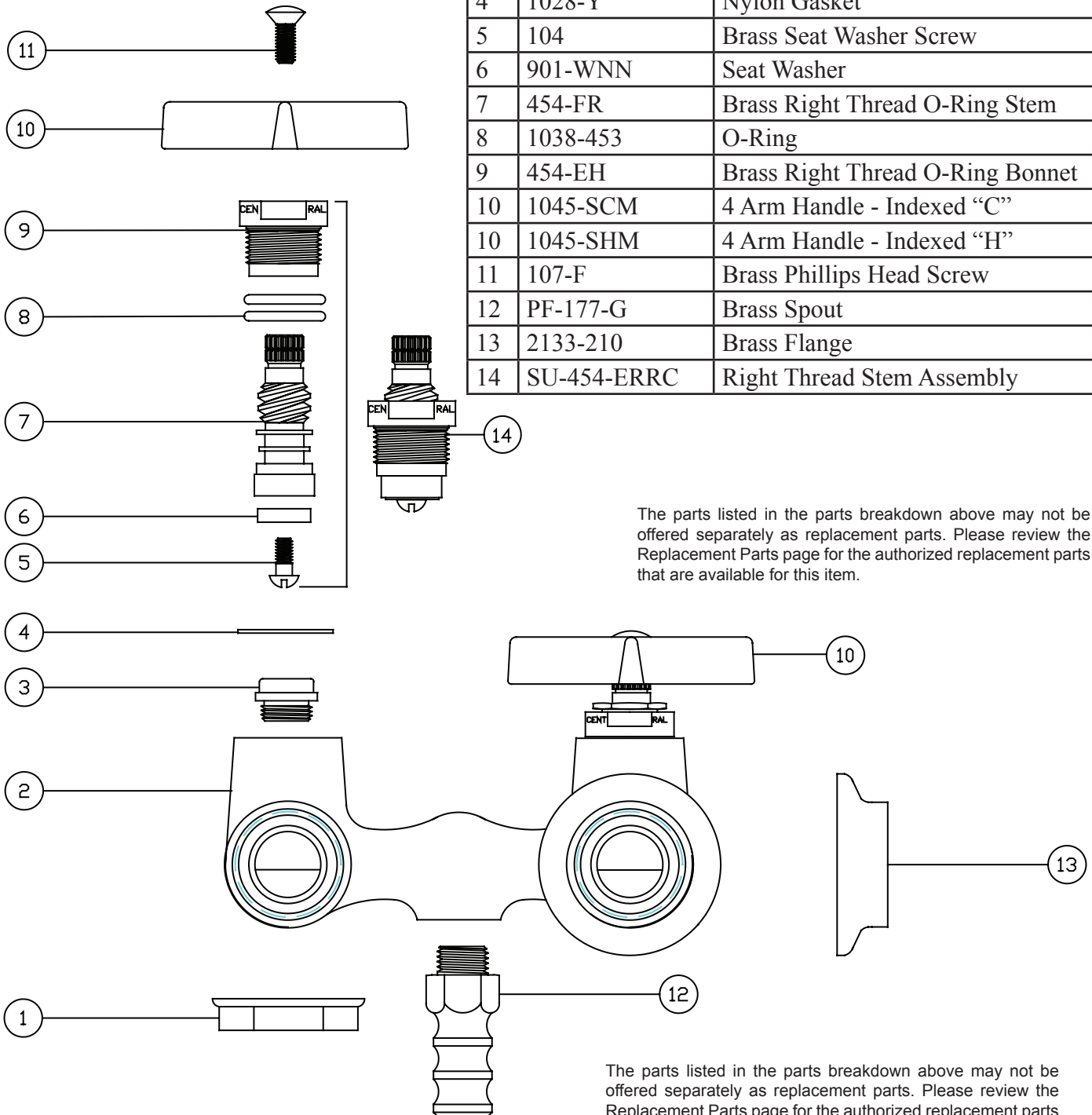
Phone: (216) 883-0220 Fax: (440) 526-5745

www.CentralBrass.com

**MODEL NO. 0210-Q
LEG TUB FITTING**

Parts Breakdown

#	Part #	Description
1	4090-3/4	Zinc Locknut
2	1767	Brass Faucet Body
3	263-BC	Bronze Seat
4	1028-Y	Nylon Gasket
5	104	Brass Seat Washer Screw
6	901-WNN	Seat Washer
7	454-FR	Brass Right Thread O-Ring Stem
8	1038-453	O-Ring
9	454-EH	Brass Right Thread O-Ring Bonnet
10	1045-SCM	4 Arm Handle - Indexed "C"
10	1045-SHM	4 Arm Handle - Indexed "H"
11	107-F	Brass Phillips Head Screw
12	PF-177-G	Brass Spout
13	2133-210	Brass Flange
14	SU-454-ERRC	Right Thread Stem Assembly



The parts listed in the parts breakdown above may not be offered separately as replacement parts. Please review the Replacement Parts page for the authorized replacement parts that are available for this item.

The parts listed in the parts breakdown above may not be offered separately as replacement parts. Please review the Replacement Parts page for the authorized replacement parts that are available for this item.