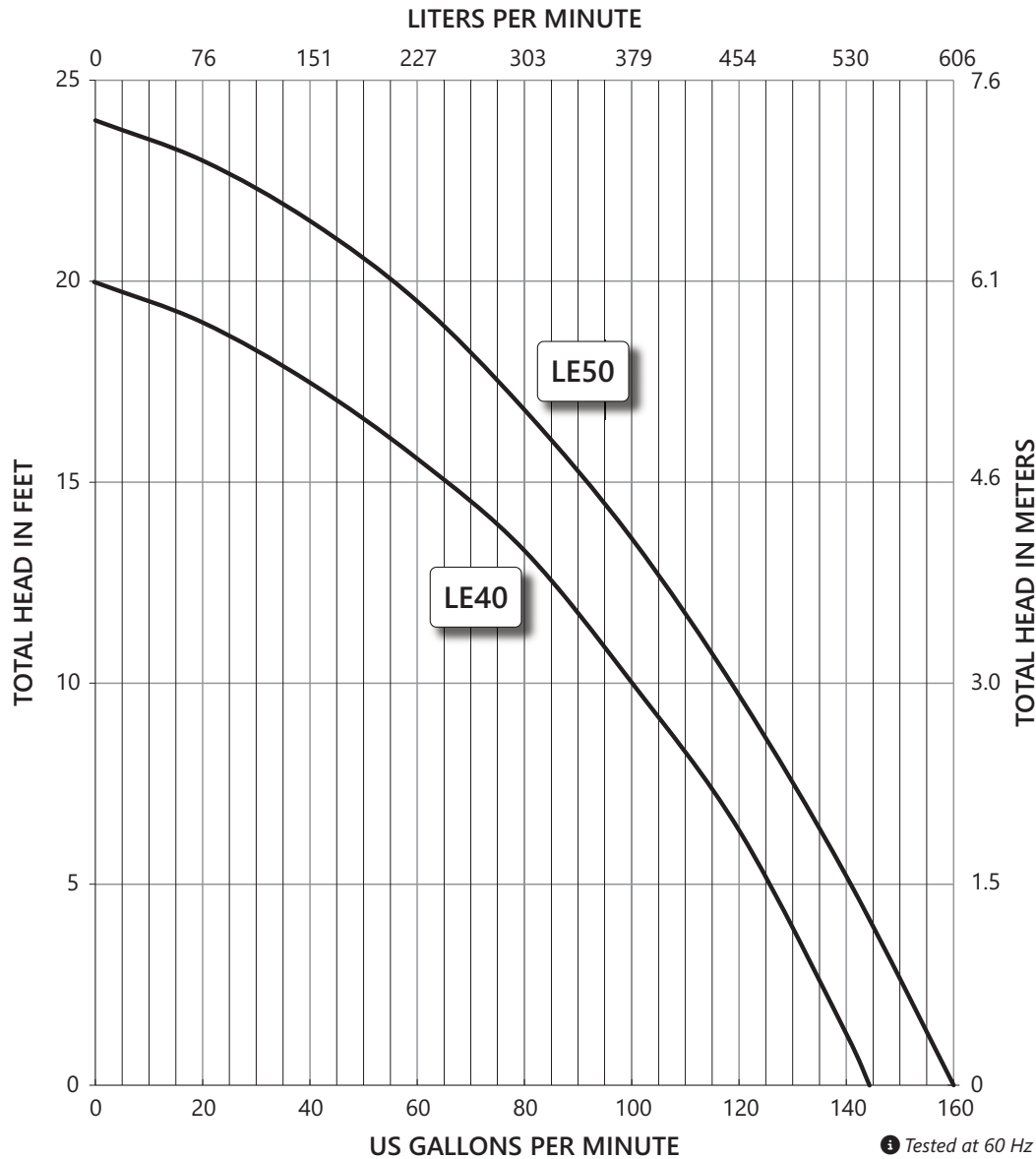
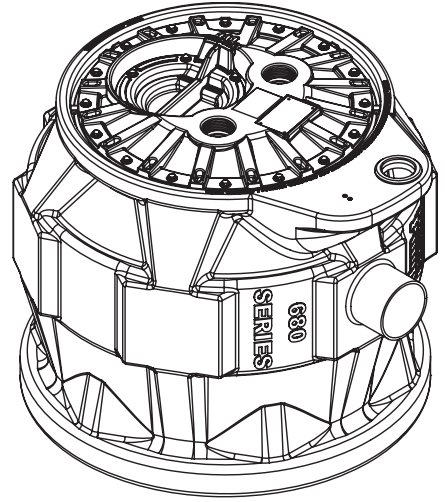
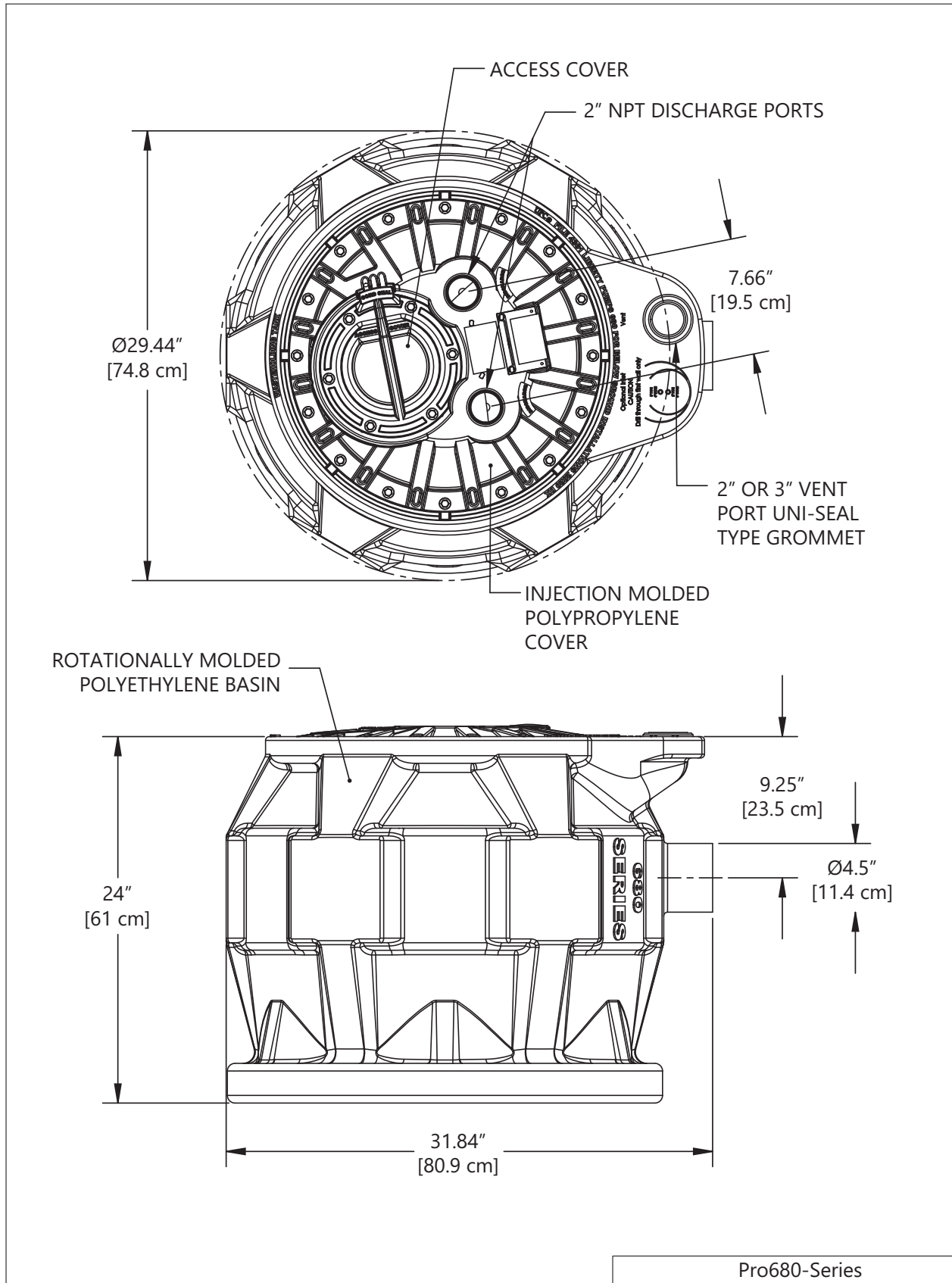


Product Specification

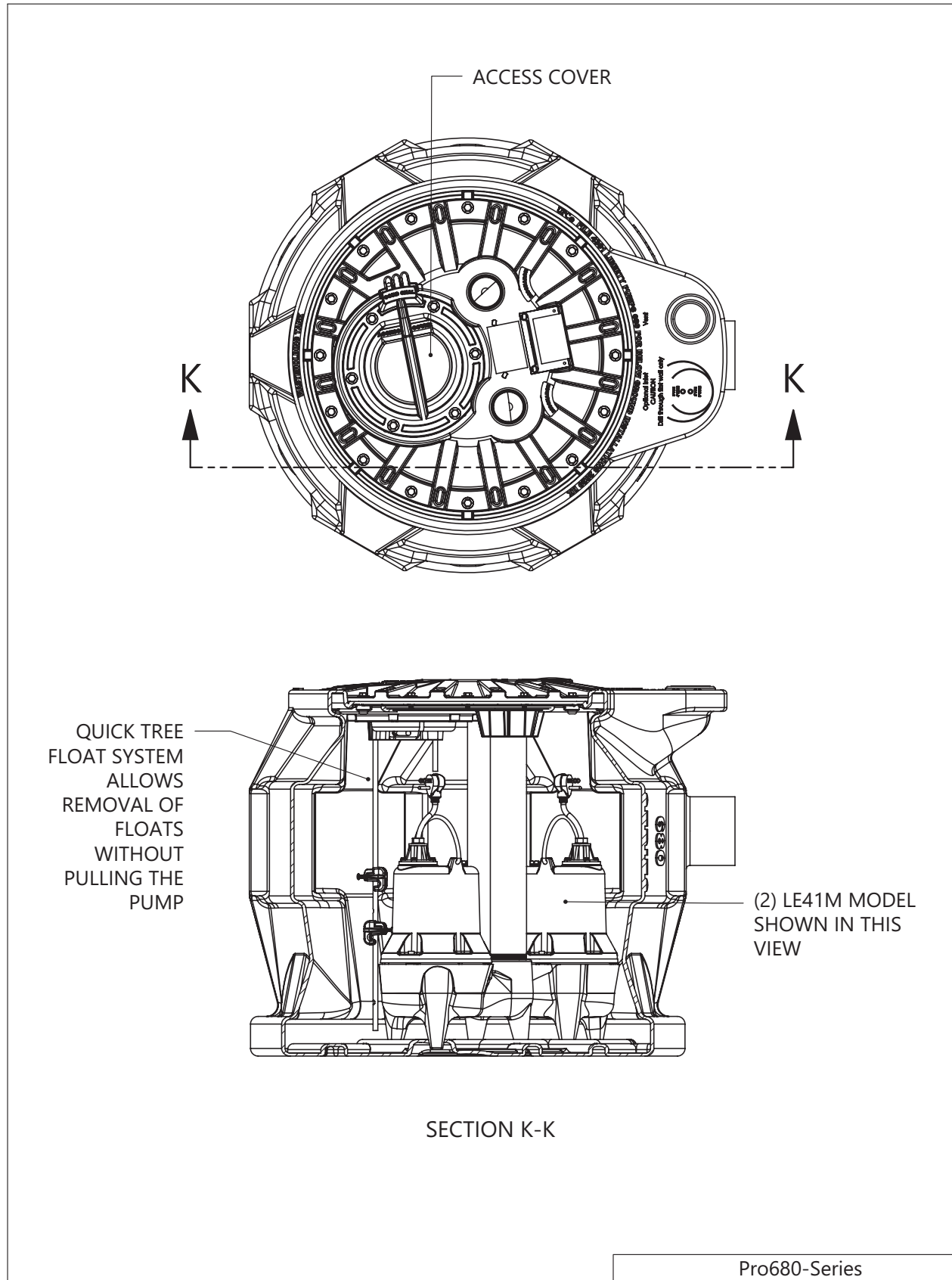
Pro680-Series Duplex Sewage Packages with LE40/LE50-Series Pumps



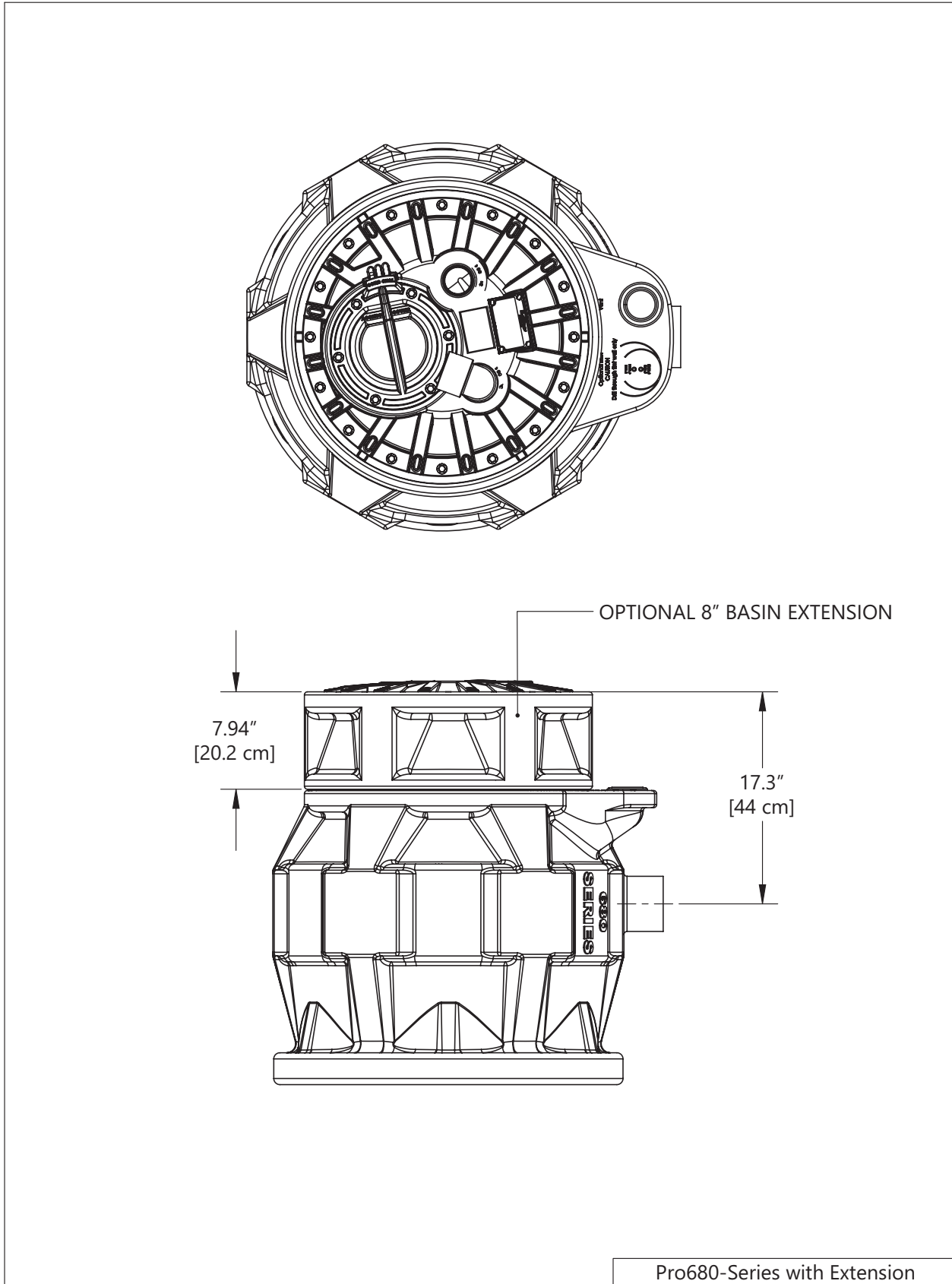
Pro680-Series Dimensional Data



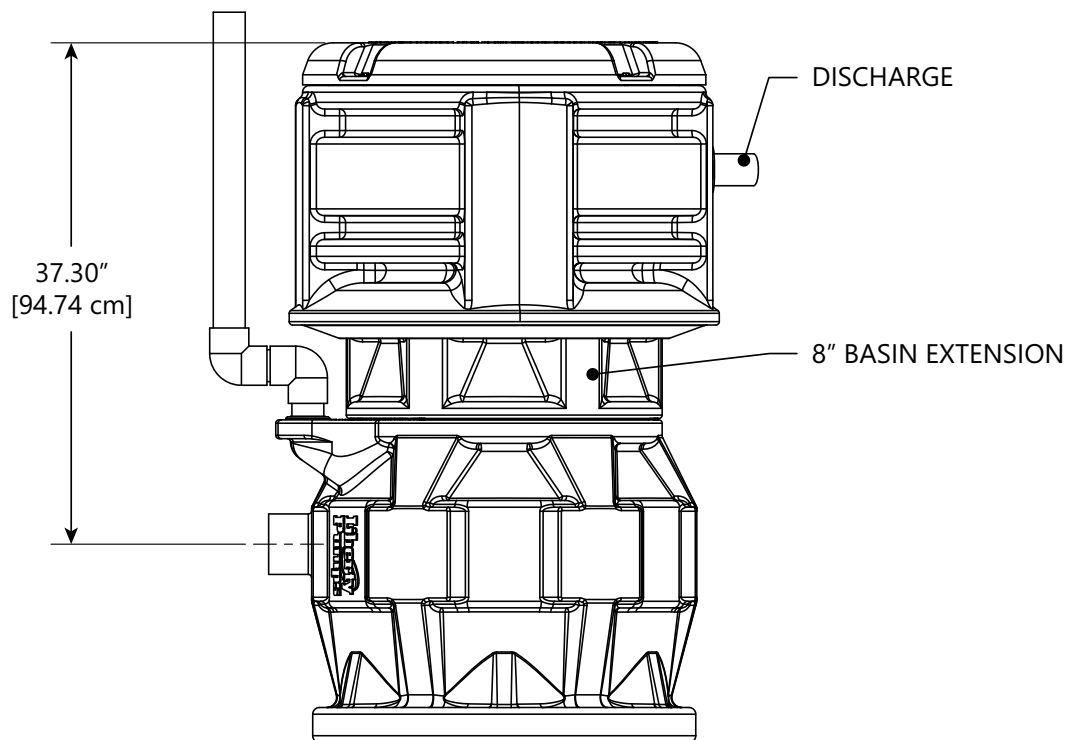
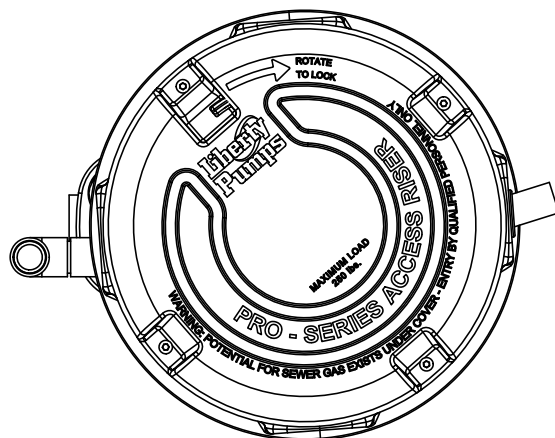
Pro680-Series Dimensional Data



Pro680-Series Dimensional Data



P680 OUTDOOR APPLICATION



P680 with X8-D and ARC18

Pro680-Series Electrical Data

| MODEL | HP | VOLTAGE | PHASE | SF | FULL LOAD AMPS | LOCKED ROTOR AMPS | THERMAL OVERLOAD TEMP | STATOR WINDING CLASS | DISCHARGE | CORD ASSEMBLY LENGTH [FT] | AUTOMATIC |
|--------------|------|---------|-------|------|----------------|-------------------|-----------------------|----------------------|-----------|---------------------------|---------------------------|
| P682XLE41 | 4/10 | 115 | 1 | 1.00 | 12 | 22.5 | 105°C 221°F | B | 2" | 10 | YES |
| P682XLE41-2 | 4/10 | 115 | 1 | 1.00 | 12 | 22.5 | 105°C 221°F | B | 2" | 25 | YES |
| P682XLE41W | 4/10 | 115 | 1 | 1.00 | 12 | 22.5 | 105°C 221°F | B | 2" | 10 | YES (OUTDOOR PANEL) |
| P682XLE41W-2 | 4/10 | 115 | 1 | 1.00 | 12 | 22.5 | 105°C 221°F | B | 2" | 25 | YES (OUTDOOR PANEL) |
| P682XLE51 | 1/2 | 115 | 1 | 1.00 | 12 | 22.5 | 105°C 221°F | B | 2" | 10 | YES |
| P682XLE51-2 | 1/2 | 115 | 1 | 1.00 | 12 | 22.5 | 105°C 221°F | B | 2" | 25 | YES |
| P682XLE51W | 1/2 | 115 | 1 | 1.00 | 12 | 22.5 | 105°C 221°F | B | 2" | 10 | YES (OUTDOOR PANEL) |
| P682XLE51W-2 | 1/2 | 115 | 1 | 1.00 | 12 | 22.5 | 105°C 221°F | B | 2" | 25 | YES (OUTDOOR PANEL) |
| P682XLE52 | 1/2 | 208-230 | 1 | 1.00 | 6.8 | 12 | 105°C 221°F | B | 2" | 10 | YES |
| P682XLE52-2 | 1/2 | 208-230 | 1 | 1.00 | 6.8 | 12 | 105°C 221°F | B | 2" | 25 | YES |
| P682XLE52W | 1/2 | 208-230 | 1 | 1.00 | 6.8 | 12 | 105°C 221°F | B | 2" | 10 | YES (OUTDOOR PANEL) |
| P682XLE52W-2 | 1/2 | 208-230 | 1 | 1.00 | 6.8 | 12 | 105°C 221°F | B | 2" | 25 | YES (OUTDOOR PANEL) |

Pro680-Series Technical Data

| | | |
|--------|----------------------|---|
| SYSTEM | TANK | UPC LISTED POLYETHYLENE BASIN MEETS IAPMO PS52 10' STACK TEST |
| | COVER | POLYPROPYLENE |
| | GUIDE RAIL | NONE – PUMPS PULL OUT WITH COVER |
| | INLET HUB | INCORPORATED INTO TANK |
| | DISCHARGE PIPE | SCHEDULE 80 PVC |
| | CONTROLS | PDC DUPLEX CONTROLLER |
| PUMP | IMPELLER | ENGINEERED THERMOPLASTIC |
| | SOLIDS HANDLING SIZE | 2" |
| | PAINT | POWDER COAT |
| | MAX LIQUID TEMP | 60°C [140°F] INTERMITTENT |
| | THERMAL OVERLOAD | 105°C [221°F] |
| | POWER CORD TYPE | SJTW |
| | MOTOR HOUSING | CAST IRON |
| | VOLUTE | CAST IRON |
| | SHAFT | STAINLESS STEEL |
| | HARDWARE | STAINLESS STEEL |
| | O-RINGS | BUNA-N |
| | MECHANICAL SEAL | CARBON CERAMIC |

Pro680-Series Specifications

See individual pump specifications for more details on the pumps.

1.01 WARRANTY

Standard limited warranty shall be 3 years.