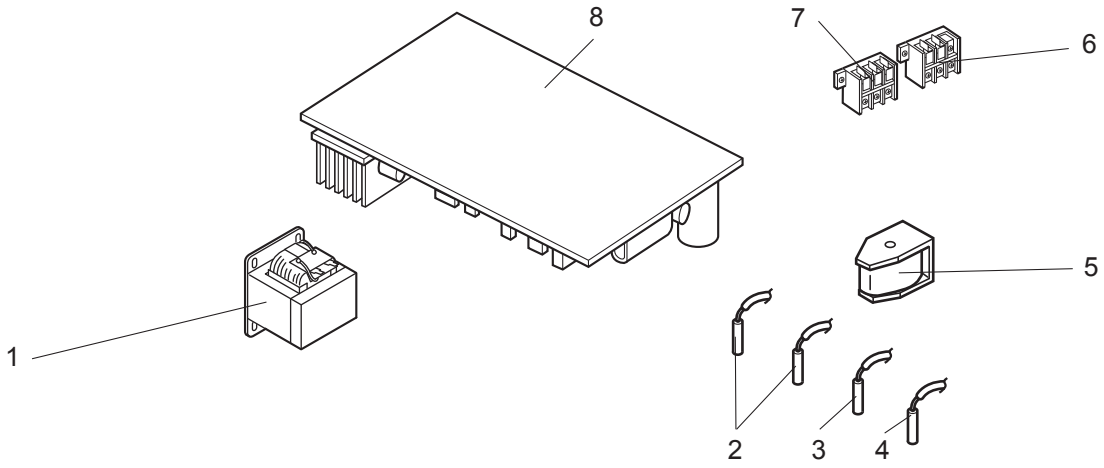


# RoHS PARTS LIST

MUZ-FE09NA MUZ-FE09NAH MUZ-FE12NA MUZ-FE12NA1 MUZ-FE12NAH  
1-2. OUTDOOR UNIT ELECTRICAL PARTS



# RoHS PARTS LIST

## 1-2. OUTDOOR UNIT ELECTRICAL PARTS

No.	RoHS	Part No.	Part name	Symbol in Wiring Diagram	Q'ty/unit						Remarks
					MUZ-FE09NA	MUZ-FE09NA - [1]	MUZ-FE09NAH	MUZ-FE12NA	MUZ-FE12NA1	MUZ-FE12NAH	
1	G	E12 838 337	REACTOR	L61	1	1	1	1	1	1	
2	G	E12 C34 306	THERMISTOR SET	RT61,RT62	1	1	1	1	1	1	DEFROST, DISCHARGE
3	G	E12 D65 308	AMBIENT TEMPERATURE THERMISTOR	RT65	1	1	1	1	1	1	
4	G	E12 C34 307	OUTDOOR HEAT EXCHANGER TEMPERATURE THERMISTOR	RT68	1	1	1	1	1	1	
5	G	E12 C85 490	R.V. COIL	21S4	1	1	1	1	1	1	
6	G	E12 A53 374	TERMINAL BLOCK	TB1	1	1	1	1	1	1	2P
7	G	E12 927 374	TERMINAL BLOCK	TB2	1	1	1	1	1	1	3P
8	G	E12 F26 451	INVERTER P.C. BOARD		1						Including heat sink and RT64
	G	E12 G77 451	INVERTER P.C. BOARD			1					
	G	E12 H97 451	INVERTER P.C. BOARD				1				
	G	E12 F27 451	INVERTER P.C. BOARD					1			
	G	E12 G78 451	INVERTER P.C. BOARD						1		
	G	E12 H98 451	INVERTER P.C. BOARD							1	