



Composed®
Vertical Toilet Tissue Holder
K-73148

Features

- Vertical holder makes changing toilet tissue quick and simple.
- Premium metal construction for durability.
- KOHLER finishes resist corrosion and tarnish.
- Coordinates with faucets and accessories in the Composed collection.



Codes/Standards



None Applicable

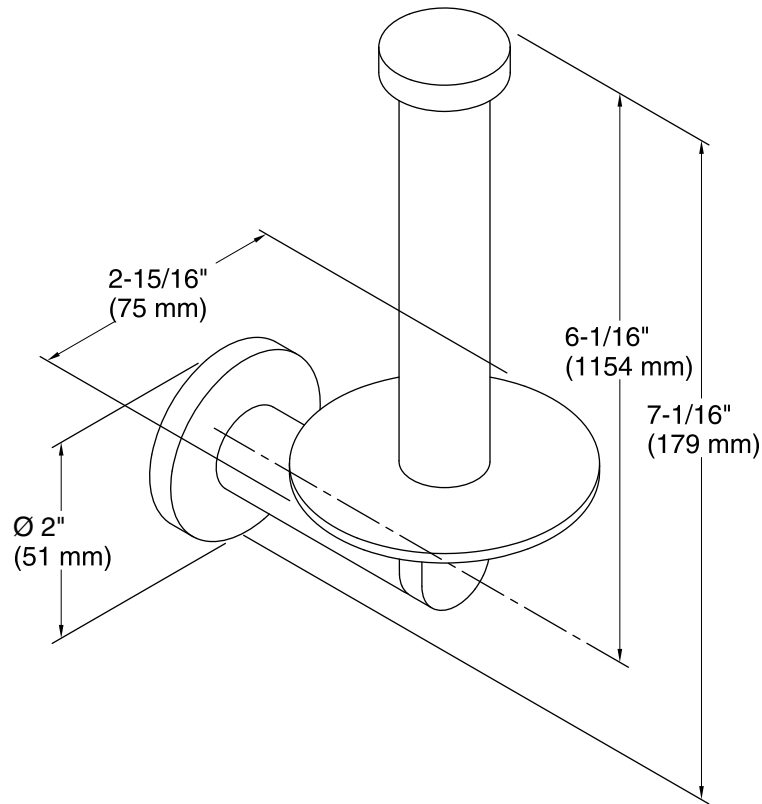
KOHLER® Faucet Lifetime Limited Warranty

See website for detailed warranty information.

Available Colors/Finishes

Color tiles intended for reference only.

Color	Code	Description
	CP	Polished Chrome
	TT	Titanium



Technical Information

All product dimensions are nominal.

Notes

Install this product according to the installation guide.