

### Material

- Includes face plate with handle, shower arm and flange.
- Single handle controls both on/off activation and temperature setting.
- Supplied with ADA compliant metal lever handle.
- Integrated push button diverter.
- For use with any Kohler showerhead (not supplied).
- Complements the Loure faucet and accessory collections.
- Premium material construction with metal handle ensures reliability and durability.
- KOHLER finishes resist corrosion and tarnishing.
- Trim set requires valve to complete installation.
- Pressure-balancing diaphragm technology maintains outlet temperature within +/-3 degrees Fahrenheit during water pressure fluctuations.
- Provides temperature regulation and automatic anti-scald protection.
- Beautiful sheet flow water delivery from spout.
- Single handle controls both on/off activation and temperature setting.
- Includes faceplate with ADA-compliant metal lever handle and push-button diverter.
- Includes shower arm with flange.
- For use with any KOHLER showerhead (sold separately).
- Coordinates with Loure faucets and accessories.
- Premium material construction with metal handle ensures reliability and durability.
- KOHLER finishes resist corrosion and tarnishing, exceeding industry durability standards.
- Trim only; requires K-11748-K or K-11748-KS Rite-Temp pressure-balancing valve (sold separately).



### Codes/Standards




ASME A112.18.1/CSA B125.1

### KOHLER® Faucet Lifetime Limited Warranty

See website for detailed warranty information.

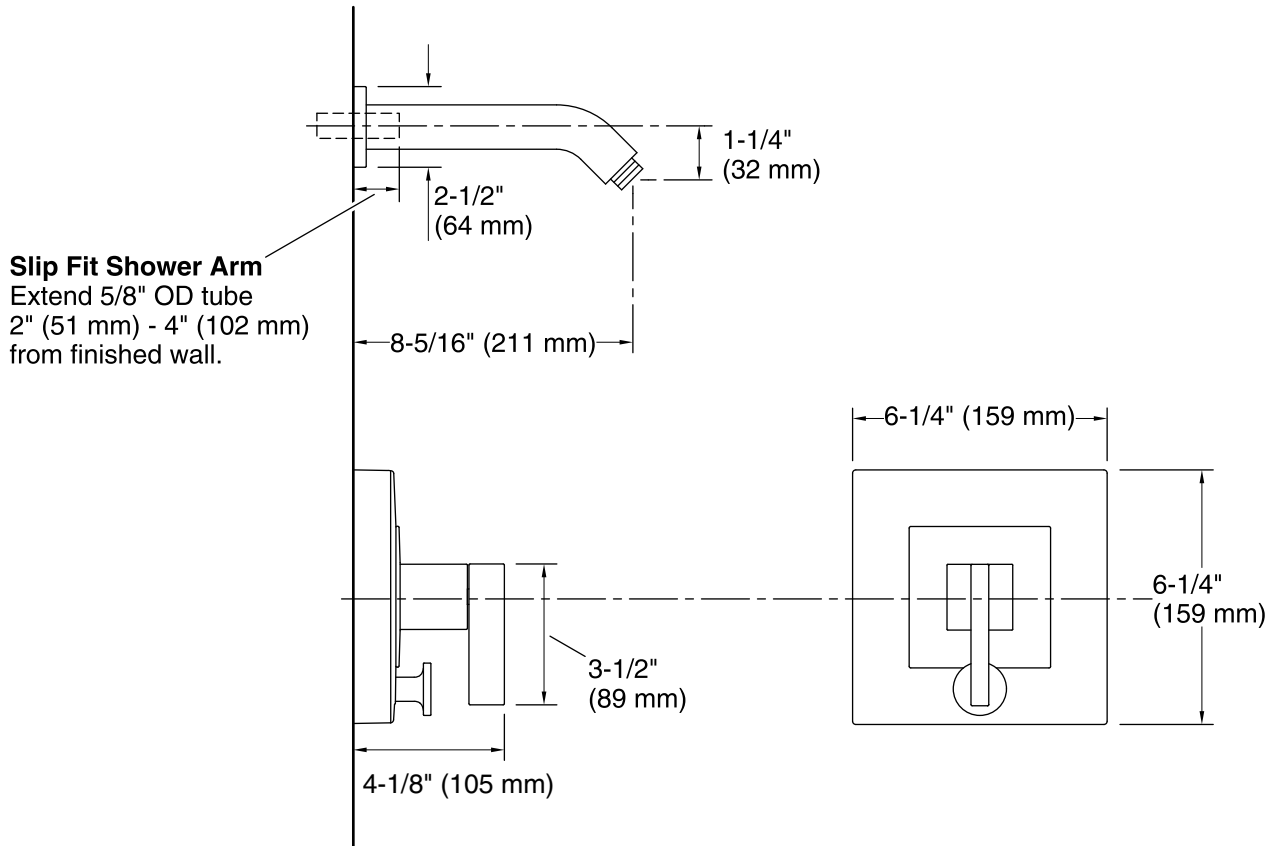
### Available Colors/Finishes

*Color tiles intended for reference only.*

Color	Code	Description
	CP	Polished Chrome
	SN	Vibrant® Polished Nickel
	BN	Vibrant® Brushed Nickel

### Required Products/Accessories

K-11748 Series Rite-Temp® Valves



**Technical Information**

All product dimensions are nominal.

**Notes**

Install this product according to the installation instructions.

Avoid cross-flow conditions. Do not install shut-off device on either valve outlet.