

BACKUP FLOAT VALVE

803 series

SPECIFICATION

Sioux Chief 803 series backup float valve shall be used where necessary in drainage systems. Backup valve shall install into vertically oriented drainage pipe and allow water to drain through freely under normal operation. During back-up situations, float shall seal valve and prevent water backup through drain fixture.

MATERIALS

top/bottom plate: galvanized or epoxy-coated steel
screws: stainless steel
compression gasket: molded elastomer
float: molded elastomer with brass insert
float wire: stainless steel

FLOW CAPACITY*

2" pipe model: 1.22 GPM
3" pipe model: 3.73 GPM
4" pipe model: 5.52 GPM

DIMENSIONS

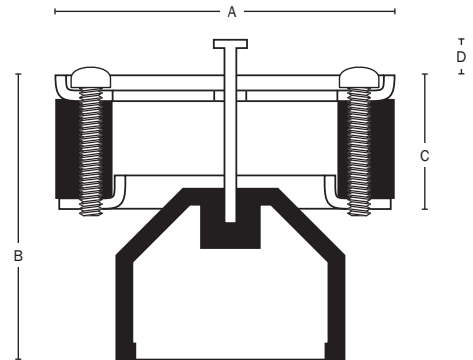
A: nominal pipe size 2", 3", or 4" drain pipe
B: overall height: fully open / fully closed
 2" pipe model 2.71" / 1.44"
 3" pipe model 2.875" / 1.95"
 4" pipe model 3.25" / 2.63"
C: body height:
 2" pipe model 1.45"
 3" pipe model 1.03"
 4" pipe model 1.45"
D: wire height: fully closed
 2" pipe model 0.33"
 3" pipe model 1.07"
 4" pipe model 0.70"

* Indicates flow rate of the device (not necessarily of the fixture or pipe) at 1/4" head

Item # Submitted	_____
Job Name	_____
Location	_____
Engineer	_____
Contractor	_____
PO#	_____ TAG _____



803-3PK2



Create Item Number

803-A

e.g. 803-3PK2 = Backup float valve for 3" nominal drain pipe

- A NOMINAL PIPE SIZE
- 2PK2** 2" drain pipe
 - 3PK2** 3" drain pipe
 - 4PK2** 4" drain pipe