

Si-30

PISTON PUMP



Versatile technology

The high performance Si-30 is suitable for air-conditioning units up to 5.6 tons (67 kBtu - 20 kW).

The piston technology is specifically designed for removing condensates from air conditioning systems.

The Si-30 is fully reliable, in any kind of environment. Its operating sound level will remain silent whatever the volume of condensates.

BENEFITS



- « Sauermann inside » : new piston, patented technology

- **Increased performance** – the Si-30 replaces the SI3100 & SI3200
- **High resistance to pollution** created by general environment. Capable of discharging small particles
- **Proven reliability**



- **Silent**

- Quiet in operation: **20 dBA independently tested.**
- The size of the air-conditioning unit and volume of condensates to be removed does not affect the operational sound level of the pump.
- **New mounting bracket** specifically designed to **reduce vibration transmission to the wall / panel or pipework**



- **Easy to install**

- **Compact design**
- New mounting bracket : allows the pump to be **wall mounted or hung from ceilings and pipework**
- **Plug-in power cord** to make maintenance and replacement hassle free



- **Energy saving**

Improved performance and high flow rate **reduce operation time** and energy consumption.

KIT CONTENTS



- Piston pump
- Anti-vibration mounting bracket
- Plug in power cable with 2 safety switch wires (5ft - 1,5 m)
- 6 tie wraps, 1/10" x 4" (2.5 x 100mm)
- Detection unit SI2958, with (5 ft - 1.5m) cable
- Detection unit installation kit:
 - rubber elbow 90° Øint. 19/32" x 2"3/8 (Øint. 15 x L 60mm),
 - Vent tube Øint. 5/32" x L 2"15/16 (Øint. 4 x L 75 mm), mounting rail, adhesive.


APPLICATIONS

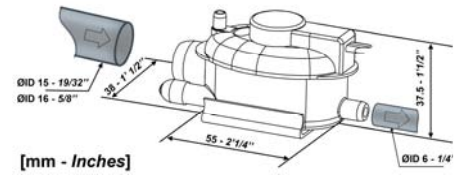
For use with any air-conditioning units,
up to 5.6 tons (67 kBtu - 20 kW):

- Wall mounted
- Ceiling suspended
- Ducted
- Fan-coils

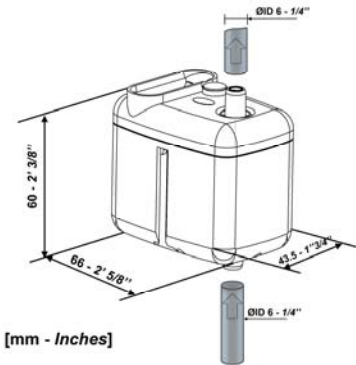


TECHNICAL SPECIFICATION

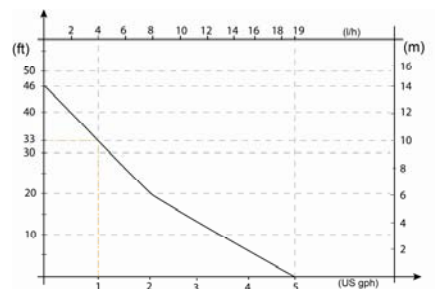
Max. flow rate	5.0 gph (19 l/h)
Max. suction head	10 ft (3 m)
Max. discharge head	33ft (10 m); flow rate= 1gph (4l/h)
Max pressure	46 ft (14 m); flow rate = 0 gph (0l/h)
Sound level at 1m according to EN ISO 3744 (Measured at LNE lab, pump operating with water, out of application)	20 dBA
Sound level in application at 1m: (Measured in Sauer mann acoustic lab, pump operating with water)	≤ 27 dBA
Mains supply	120V ~ 60 Hz - 14 W (SI3000SIUS11) 230 V ~ 50/60 Hz - 14 W (SI3000SIUS23)
Insulation class	 (double insulation)
Detection levels	On=5/8" Off=7/16" Alarm=3/4" (ON: 16mm, OFF: 11mm, AL: 19mm)
Safety switch	NC 8A resistive - 250 V
Thermal protection (overheating)	194°F (90°C) auto-reset
Intermittent operation cycle	30%: 3s ON – 7s OFF
Protection	IP20
Safety standards	UL/CSA certified by Intertek
RoHS directive	Compliant
DEEE directive	Compliant
Packaging	0.90 lbs (0.41kg) L4" 2/5 x W3"3/5 x H3"3/5 (L112 x W91 x H91 mm)
Masterpack	25 pieces



[mm - Inches]

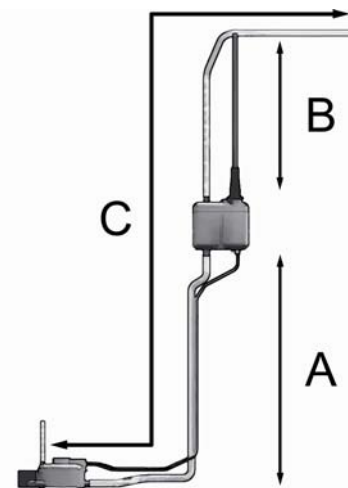


[mm - Inches]



ACTUAL FLOW RATES (in gph)

		Total tube length, 1/4" using (6 mm) hose (C)			
Suction head (A)	Discharge head (B)	15 ft	30 ft	60 ft	100 ft
0 ft	0 ft	5.0	4.7	4.5	4.2
	6 ft	4.2	3.9	3.7	3.5
	13 ft	3	2.9	2.8	2.6
	20 ft		2.5	2	1.7
	26 ft		1.6	1.3	1.1
3.3 ft	33 ft		1.1	0.9	0.7
	0 ft	3.7	3.4	3.2	2.9
	6 ft	2.9	2.6	2.4	2.1
6.6 ft	13 ft	0.5	1.8	1.6	1.3
	20 ft		1.2	1.1	
	0 ft	2.9	2.6	2.4	2.1
10 ft	6 ft	2.4	2.1	1.8	1.6
	13 ft		1.5	1.3	1.2
	0 ft	2.6	2.4	2.1	1.8
	6 ft	2.1	1.8	1.6	1.3
	13 ft		1.3	1.1	



RECOMMENDED ACCESSORIES



ACC 00105, ACC 00150
Clear PVC hose, Øint 1/4" (6mm)
ACC 00105 : 16 ft (5m)
ACC 00150 : 164 ft (50m)
ACC 00151 : reinforced, 164 ft (50m)



ACC 00205
6 self-sealing fittings
Øext. 1/4" (6mm)



ACC 00214
5 fittings to prevent siphoning