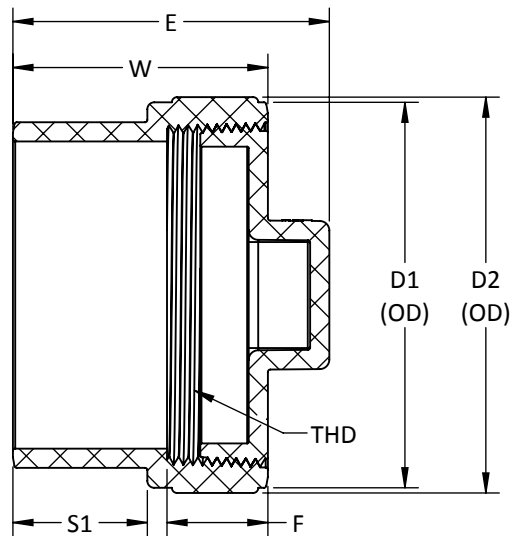


ASSEMBLED FROM  
MOLDED COMPONENTS



ASTM D2665, F1866, CSA B181.2 WHERE APPLICABLE

**FITTING CLEANOUT WITH RAISED PLUG (SxFIPT)  
PVC SOLVENT WELD DWV**

PART NO.	SIZE IN INCHES	S1	F	W	E	D1	D2	THD
† D9504	4 x 4	1 25/32	1 5/16	3 11/32	4 5/32	5 1/32	5 1/16	4" - 8 NPT
† D9506	6 x 6	3 1/16	1 9/16	4 29/32	5 7/8	7 7/32	7 3/8	6" - 8 NPT
† D9508	8 x 8	4 1/16	1 3/4	6 5/32	7 7/32	9 11/32	9 1/2	8" - 8 NPT
† D95010	10 x 10	5 1/16	1 25/32	7 7/32	8 3/16	11 17/32	11 17/32	10" - 8 NPT
† D95012	12 x 12	6 1/16	1 29/32	8 3/8	9 5/16	13 19/32	13 19/32	12" - 8 NPT

-- DIMENSIONS AND APPEARANCE ARE APPROXIMATE AND SUBJECT TO CHANGE  
WITHOUT NOTICE DUE TO DESIGN OR PRODUCTION MODIFICATIONS  
-- MOLDED FITTING TOLERANCE = ±1/8" OVERALL LENGTH  
-- FABRICATED FITTING TOLERANCE = ±1" LINEAR, ± 2° ANGULAR

\* MOLDED FITTING  
† ASSEMBLED FROM MOLDED COMPONENTS  
ALL OTHER FITTINGS ARE FABRICATED