

**SPECIFICATIONS**



**Features/Benefits**

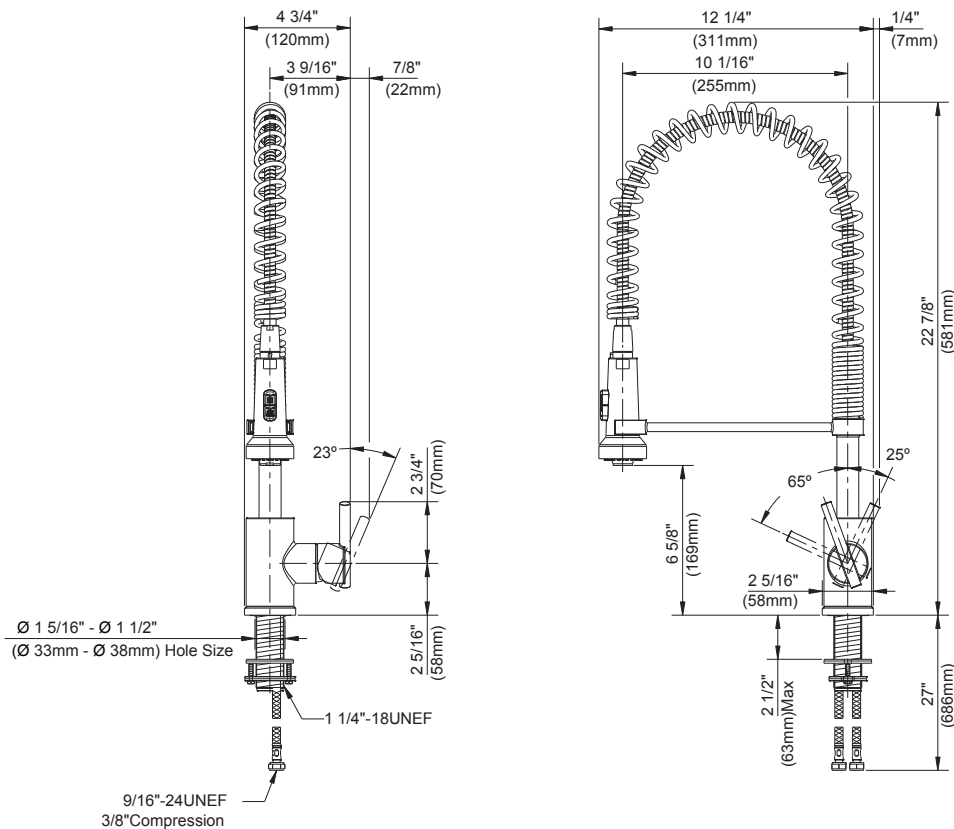
- Spring-Action Spray Wand
- 22 7/8" Spout Height, 10 1/16" Spout Reach
- 1.75 gpm (6.6 L/min) Standard Using DA52344190N Spray Head
- Alternative Flow Rates Available with Spray / Aerated Water Stream
  - 1.5 gpm (5.7 L/min) When Used with DA52344160N Spray Head
- 2 Function Spray / Aerated Stream
- Ceramic Disc Cartridge
- 360 Degree Swivel Spout
- Single Hole Installation
- Optional Deck Plate, DA665051, Sold Separately

**Available Color/Finishes**

 **Chrome**

Please see [gerberonline.com](http://gerberonline.com) or current price list for available finishes. Finish is defined by additional suffix.

**Standards & Certifications**



**Submittal Information:**

Name: \_\_\_\_\_  
 Location: \_\_\_\_\_

Contractor: \_\_\_\_\_  
 Contact #: \_\_\_\_\_