

PRODUCT SPECIFICATIONS

Elkay Lustertone Iconix™ 16 Gauge Stainless Steel 23-5/8" x 21-1/4" x 9" Single Bowl Undermount Sink with Perfect Drain. Sink is manufactured from 16 gauge 304 Stainless Steel with a Luminous Satin finish, Rear Center drain placement, and Sides and Bottom pads.

Installation Type:	Undermount
Material:	304 Stainless Steel
Special Features:	Perfect Drain
Finish:	Luminous Satin
Gauge:	16
Sound Deadening:	Sides and Bottom pads
Number of Bowls:	1
Sink Dimensions:	23-5/8" x 21-1/4" x 10-9/16"
Bowl 1 Dimensions:	21" x 18-5/8" x 9"
Drain Size:	3-3/8" (86mm)
Drain Location:	Rear Center
Minimum Cabinet Size:	27"
Mounting Hardware:	Undermount brackets sold separately
Template Included:	Yes
Cutout Template #:	1000005603

Template is available for download at [elkay.com](#). CAD software will be required to open the template.

Special Note: Reserve Selection products are sold exclusively, in-store and online, through authorized wholesalers.

Perfect Drain: Seamlessly welded stainless steel collar eliminates the gap between a traditional drain and the sink for a sanitary and gap free installation. An InSinkErator® garbage disposer can be installed on either sink bowl for user convenience.
U.S. Patent Nos 9,057,185 and 9,783,968.

in sink erator

Elkay® Perfect Drain™ sinks are designed and approved for compatible disposers manufactured by InSinkErator® utilizing the Quick Lock® mounting configuration. Use of non-approved disposers may void Elkay warranty.

InSinkErator, Quick Lock and the mounting collar configuration are trademarks of Emerson Electric Co.





Included with Product: One LKPD1 Perfect Drain and strainer.

AMERICAN PRIDE. A LIFETIME TRADITION. Like your family, the Elkay family has values and traditions that endure. For almost a century, Elkay has been a family-owned and operated company, providing thousands of jobs that support our families and communities.

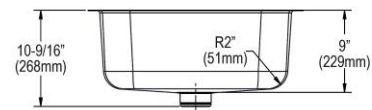
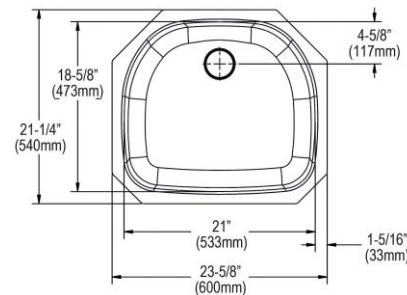


Product Compliance: ASME A112.19.3/CSA B45.4
Buy American Act
Accessory: ASME A112.18.2/CSA B125.2



Sinks are listed by IAPMO® as meeting the applicable requirements of the Uniform Plumbing Code®, International Plumbing Code®, and National Plumbing Code of Canada.

- [Clean and Care Manual \(PDF\)](#)
- [Installation Instructions \(PDF\) - 1000002045](#)
- [Installation Instructions \(PDF\) - 74180289_Disposer](#)
- [Installation Instructions \(PDF\) - 74180340-USA_Drain](#)
- [Warranty \(PDF\)](#)



PART: _____ QTY: _____

PROJECT: _____

CONTACT: _____

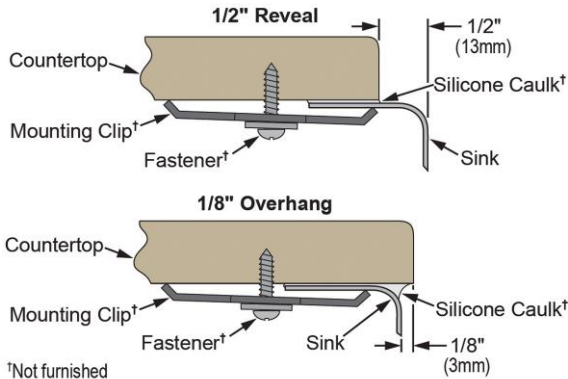
DATE: _____

NOTES: _____

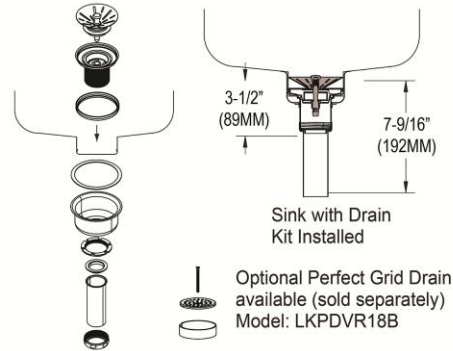
APPROVAL: _____

In keeping with our policy of continuing product improvement, Elkay reserves the right to change product specifications without notice. Please visit [elkay.com](#) for the most current version of Elkay product specification sheets. This specification describes an Elkay product with design, quality, and functional benefits to the user. When making a comparison of other producers' offerings, be certain these features are not overlooked.



Installation Profile:



[†]Not furnished
Designed to affix to the underside of any solid surface countertop.



Optional Perfect Grid Drain available (sold separately)
Model: LKPDVR18B

Optional Accessories		
LKWOBG2118SS	Elkay Stainless Steel 18-3/4" x 16-5/8" x 1" Bottom Grid Spec Sheet (PDF)	
LKPD1	Elkay Perfect Drain Fitting Type 304 Stainless Steel Body, and Strainer Spec Sheet (PDF)	

In keeping with our policy of continuing product improvement, Elkay reserves the right to change product specifications without notice. Please visit elkay.com for the most current version of Elkay product specification sheets. This specification describes an Elkay product with design, quality, and functional benefits to the user. When making a comparison of other producers' offerings, be certain these features are not overlooked.