

## Features

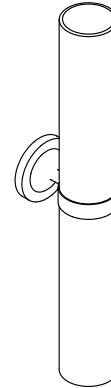
- Rounded glass shades connect with tube attachments and metal bases in contemporary designs fit for any room.
- Coordinates with faucets and accessories in the Purist collection.
- Requires two bulbs with medium (E26) base; T10 bulb recommended (sold separately).
- Suitable for damp locations, per UL 1598.

## Material

- Premium metal and glass construction.
- Manufactured with quality materials and complemented with a meticulous finishing process.
- Durable finishes engineered to last and designed to coordinate with KOHLER faucet finishes.

## Installation

- Installation hardware included.



## Codes/Standards

UL 1598  
CSA C22.2 No. 250.0

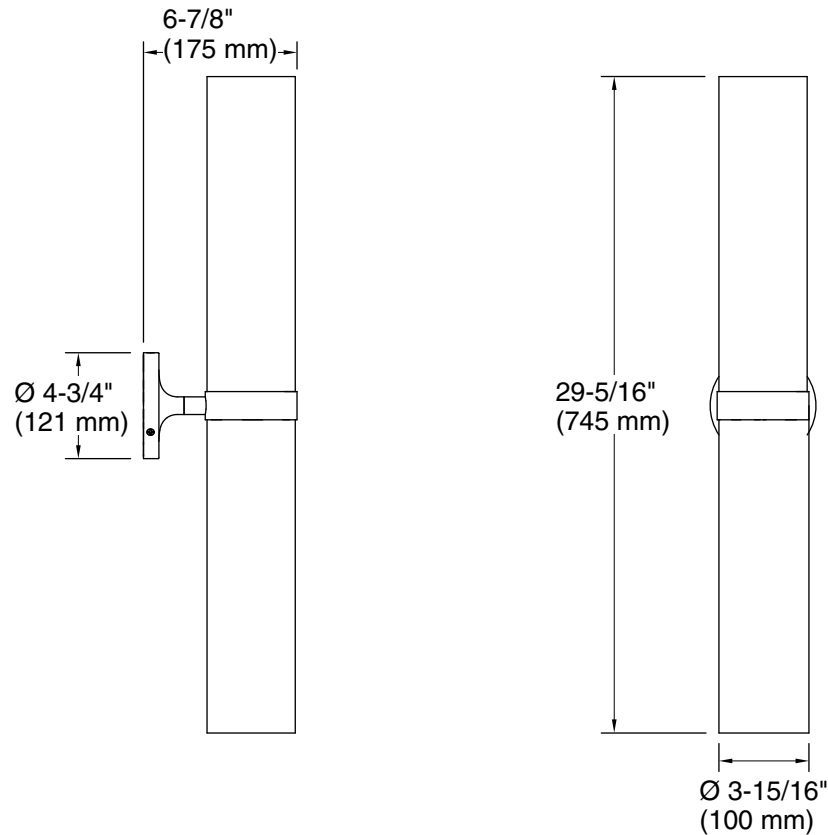
## KOHLER® Indoor Lighting Fixtures Limited Warranty

See website for detailed warranty information.

## Available Colors/Finishes

*Color tiles intended for reference only.*

| Color   | Code | Description           |
|---|------|-----------------------|
|  | SNL  | Polished Nickel       |
|   | TTL  |                       |
|  | BNL  | Brushed Nickel        |
|  | CPL  | Polished Chrome       |
|  | BLL  | Matte Black           |
|  | 2GL  | Brushed Moderne Brass |
|   | AFL  |                       |
|   | BVL  |                       |



## Required Electrical Service

One circuit required.

120 V, 60 Hz

## Technical Information

All product dimensions are nominal.

Material: Steel, Glass  
Number of Lights: 2  
Lighting Type: Socket-based  
Socket Type: E-26 Medium  
Number of Shades: 2  
Shade Type: Glass - clear