

**Features**

- Brass construction
- Removable grid strainer
- Available with 2" or 3" NPT or 2" (51 mm) caulk connection

**Codes/Standards Applicable**

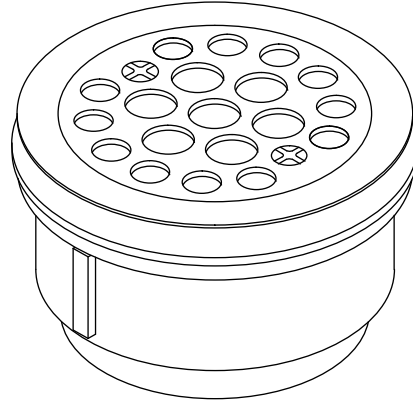
Specified model meets or exceeds the following:

- ASME A112.18.2/CSA B125.2

**SERVICE SINK STRAINER**

**K-9142**

**ALSO K-9146, K-9147**



**Colors/Finishes**

- CP: Polished Chrome

**Specified Model**

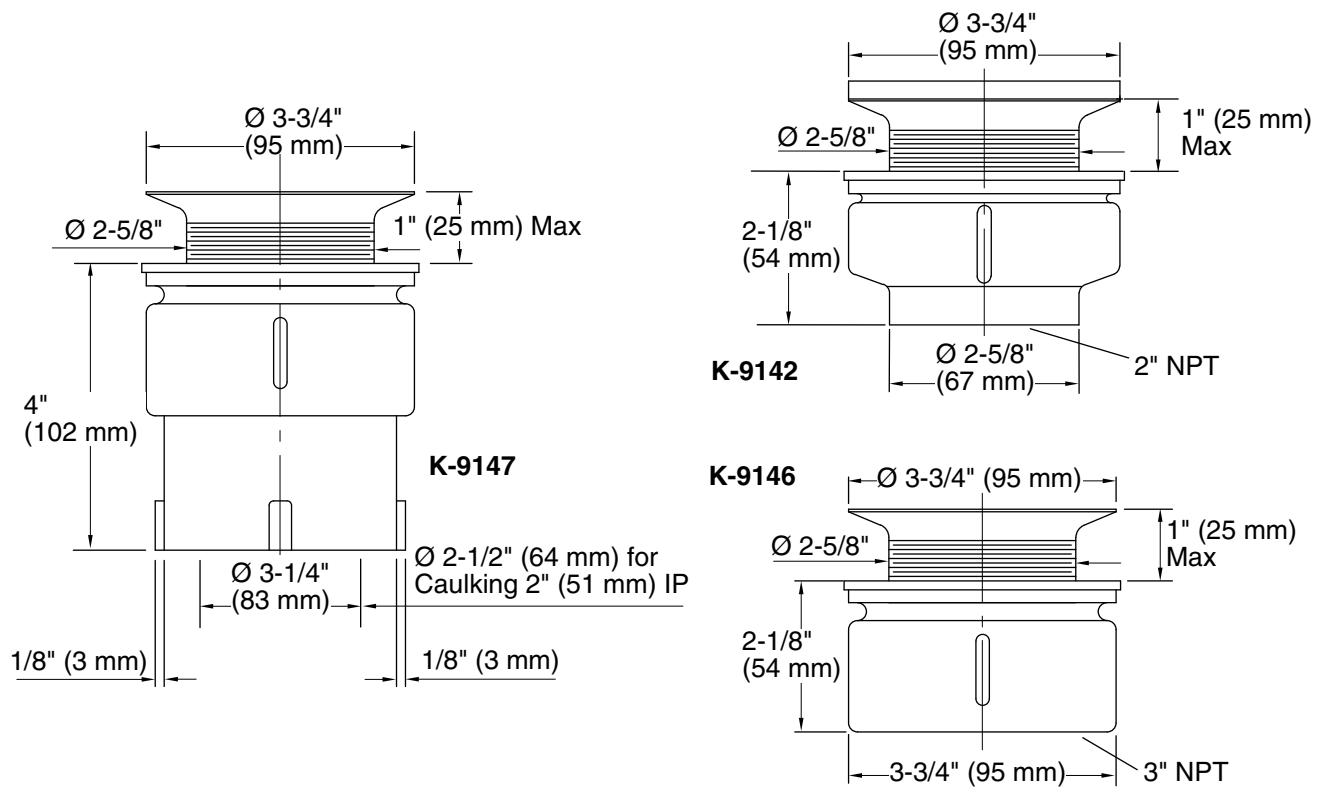
Model	Description	Colors/Finishes		
K-9142	Service sink strainer tapped for 2" NPT	<input type="checkbox"/> CP		
K-9146	Service sink strainer tapped for 3" NPT		<input type="checkbox"/> CP	
K-9147	Service sink strainer for 2" (51 mm) caulk connection			<input type="checkbox"/> CP

**Product Specification**

Service sink strainer shall be of brass construction. Product shall include removable grid strainer and is available for 2" or 3" NPT or 2" (51 mm) caulk connection. Service sink strainer shall be Kohler Model K-\_\_\_\_\_-CP.

## Installation Notes

Install this product according to the installation guide.



## Product Diagram