

Features

- Brass construction
- Available with cross or lever handles
- Front seal plate assembly
- Handle assembly
- Complements Purist® Suite

**THERMOSTATIC TRIM SET
K-T14488**

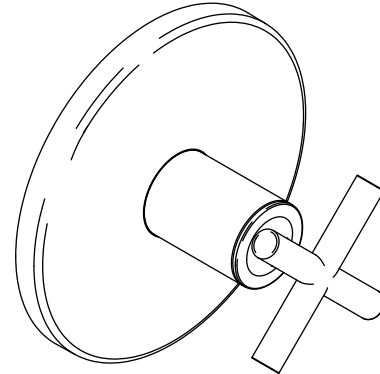
ALSO K-T14489, K-T14490, K-T14491

ADA

Codes/Standards Applicable

Specified model meets or exceeds the following:

- ADA
- ASME A112.18.1/CSA B125.1
- ICC/ANSI A117.1



Colors/Finishes

- CP: Polished Chrome
- Other: Refer to Price Book for additional colors/finishes

Accessories:

- NA: None applicable

Specified Model

For complete faucet, both faucet trim and valving must be specified.			
Model	Description	Colors/Finishes	
K-T14488-3	Thermostatic valve trim, cross handle	<input type="checkbox"/> CP	<input type="checkbox"/> Other _____
K-T14488-4	Thermostatic valve trim, lever handle	<input type="checkbox"/> CP	<input type="checkbox"/> Other _____
K-T14489-4	Stacked thermostatic valve trim, lever handle only	<input type="checkbox"/> CP	<input type="checkbox"/> Other _____
K-T14490-3	Volume control trim, cross handle	<input type="checkbox"/> CP	<input type="checkbox"/> Other _____
K-T14490-4	Volume control trim, lever handle	<input type="checkbox"/> CP	<input type="checkbox"/> Other _____
K-T14491-3	Transfer valve trim, cross handle	<input type="checkbox"/> CP	<input type="checkbox"/> Other _____
K-T14491-4	Transfer valve trim, lever handle	<input type="checkbox"/> CP	<input type="checkbox"/> Other _____

Required Accessories (continued on page 2)		
K-2972-KS (replaces K-679-KS)	1/2" Thermostatic valve	<input type="checkbox"/> NA
K-2973-KS (replaces K-680-KS)	1/2" Stacked thermostatic valve	<input type="checkbox"/> NA
K-2974-K (replaces K-681-K)	1/2" Volume control	<input type="checkbox"/> NA
K-2975-KS (replaces K-669-KS)	3/4" Thermostatic valve	<input type="checkbox"/> NA

Product Specification

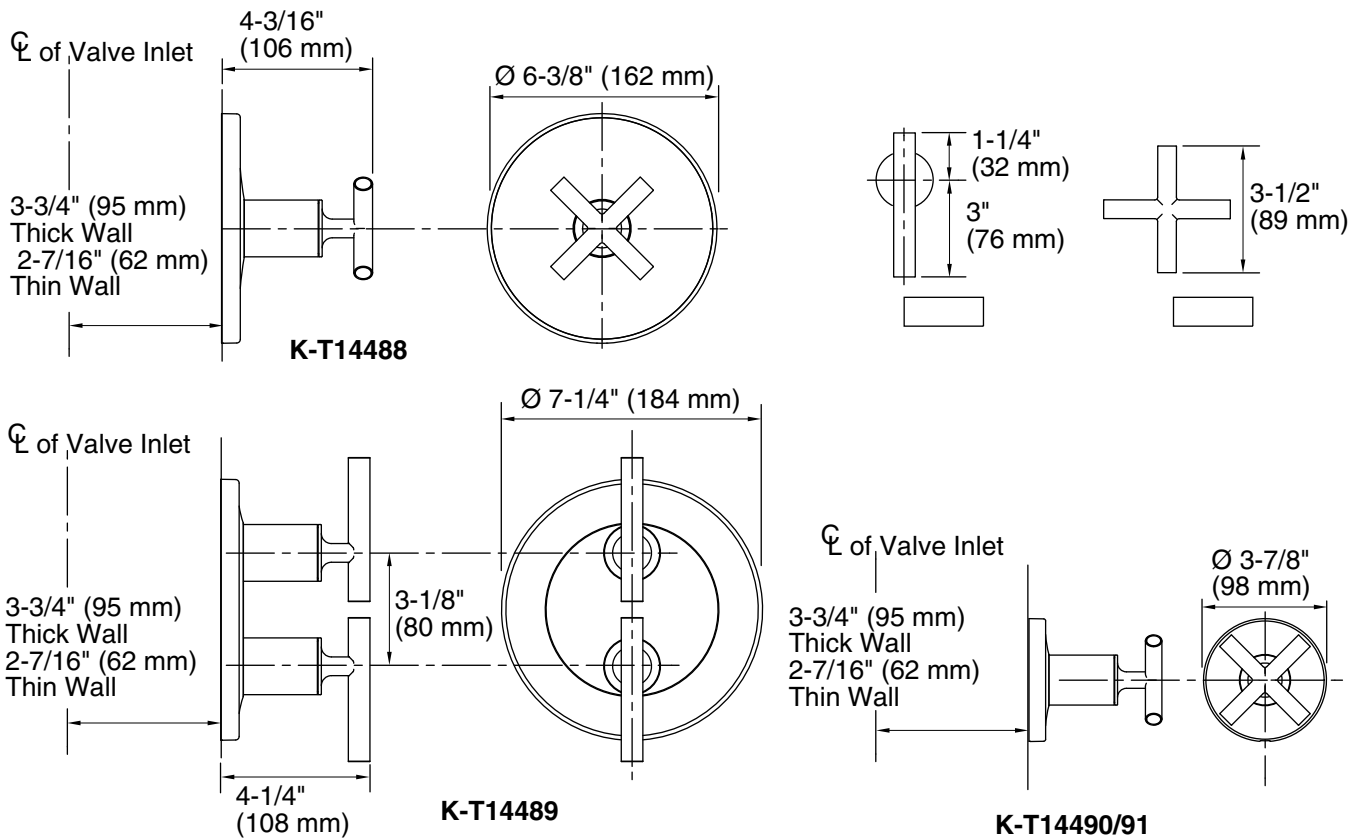
Thermostatic trim set shall be of brass construction. Trim shall include front seal plate assembly and handle assembly. Product shall be available with cross or lever handles. Thermostatic trim set shall complement the Purist® Suite. Ttrim shall be Kohler Model K-T____-____-____ and thermostatic valving shall be K-____-____-NA.

PURIST®

Required Accessories (Cont.)		
K-2976-KS (replaces K-670-KS)	3/4" Stacked thermostatic valve	<input type="checkbox"/> NA
K-2977-K (replaces K-671-K)	3/4" Volume control	<input type="checkbox"/> NA
K-728-K	3/4" Transfer valve	<input type="checkbox"/> NA
K-737-K	3/4" Diverter valve	<input type="checkbox"/> NA

Installation Notes

Install this product according to the installation guide.



Product Diagram