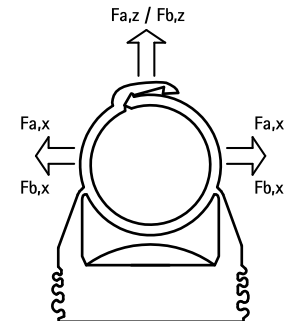
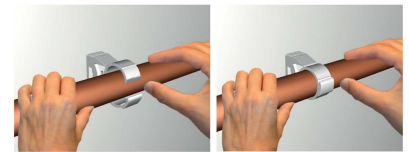


BIS starQuick® Clamps (Grey)

for all pipes Ø 10 - 65 mm



Features and benefits

- one-part clamp
- clamp closes by applying pressure to the pipe
- for outdoor use and installations in swimming pool environments, chemical factories, zinc factories, etc.
- due to a patented profile it is possible to tack several clamps to each other (up to 1 ¼" CP)
- material: modified PA6 (polyamide), grey (according to RAL 7035)
- resistant to UV, aging, oil and gasoline
- corrosion-free, recyclable, halogen free
- temperature resistance: -40 °F to +190 °F constant, +260 °F peak (Note: temperature must be above 15 °F during installation process)
- Plenum rated - tested to ASTM E-84

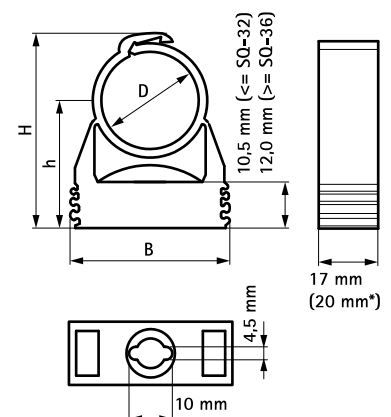


(085 4 012 - 085 4 042)



Part No.	D (mm)	IP (")	CT (")	Type	B (")	H (")	h (")	Fa,z (lbs)	Fb,z (lbs)	Pack 1	Pack 2
085 4 010	10 - 12	-	1/4	SQ-10	1.1	1.3	0.91	38	112	100	1.200
085 4 012	12 - 14	1/4	3/8	SQ-12	1.1	1.3	0.91	40	123	100	1.200
085 4 015	14 - 16	-	1/2	SQ-15	1.1	1.4	0.94	45	134	100	1.200
085 4 018	16 - 20	3/8	5/8	SQ-17	1.1	1.6	1.00	51	157	100	800
085 4 022	20 - 23	1/2	3/4	SQ-20	1.1	1.7	1.10	60	179	50	600
085 4 028	24 - 28	3/4	-	SQ-25	1.6	2.0	1.20	63	191	50	600
085 4 031	28 - 32	-	1	SQ-28	1.6	2.1	1.30	67	202	50	400
085 4 035	32 - 35	1	1 1/4	SQ-32	1.7	2.2	1.30	74	224	50	400
085 4 038	35 - 40	-	-	SQ-36	1.9	2.6	1.60	83	247	25	300
085 4 042	40 - 44	1 1/4	1 1/2	SQ-40	2.0	2.8	1.70	90	269	25	200
085 4 050	44 - 50	-	-	SQ-47	2.2	3.0	1.80	96	292	25	200
085 4 054	48 - 55	1 1/2	2	SQ-51	2.5	3.2	1.90	105	314	15	180
085 4 063	59 - 65	2	-	SQ-59	2.9	3.7	2.20	112	337	15	180

Fa,x = Fa,z / Fb,x = Fb,z.



* BIS starQuick® Ø 59 - 65 mm

Complementary

- BIS GOLD
- BIS starQuick® Duo Bracket
- BIS starQuick® Fixing Nuts