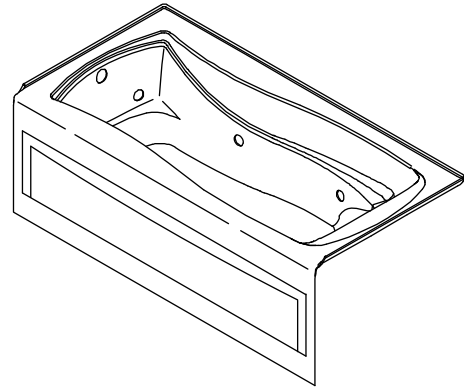


Features

- Acrylic
- Bask™ heated lumbar support with three temperature settings
- Molded lumbar support and armrests for comfort
- Textured bottom surface
- Integral apron with removable access panel
- 3-wall alcove installation with integral tile flange
- Left or right drain
- 6 fully adjustable color-matched hydro-massage jets
- 72" (1829 mm) x 36" (914 mm) x 21-1/4" (540 mm)

6' BATH WHIRLPOOL WITH INTEGRAL APRON AND BASK™ K-1257-LAW ALSO K-1257-RAW



Codes/Standards Applicable

Specified model meets or exceeds the following:

- ASME A112.19.7/CSA B45.10
- CSA B45.5/IAPMO Z124
- ASTM E162
- ASTM E662
- UL 1795

Colors/Finishes

- 0: White
- Other: Refer to Price Book for additional colors/finishes
- CP: Polished Chrome
- PB: Vibrant® Polished Brass

Specified Model

Model	Description	Colors/Finishes	
K-1257-LAW	6' Bath whirlpool with integral apron and Bask – left drain (shown)	<input type="checkbox"/> 0	<input type="checkbox"/> Other_____
K-1257-RAW	6' Bath whirlpool with integral apron and Bask – right drain	<input type="checkbox"/> 0	<input type="checkbox"/> Other_____

Recommended Accessories

K-7166-AF	Adjustable pop-up drain – above or through-the-floor installation	<input type="checkbox"/> CP	<input type="checkbox"/> PB	<input type="checkbox"/> Other_____
-----------	---	-----------------------------	-----------------------------	-------------------------------------

Optional Accessories

K-1491	Pillow	<input type="checkbox"/> 0		<input type="checkbox"/> Other_____
K-9696	Jet trim kit – metal finishes		<input type="checkbox"/> CP	<input type="checkbox"/> PB

Product Specification

The acrylic bath whirlpool shall be 72" (1829 mm) in length, 36" (914 mm) in width, and 21-1/4" (540 mm) in height. Bath shall feature Bask heated lumbar support with three temperature settings. Bath shall have 6 fully adjustable color-matched hydro-massage jets. Bath shall feature molded lumbar support and armrests for comfort and textured bottom surface. Bath shall have integral apron with removable access panel. Bath shall be for 3-wall alcove installation with integral tile flange. Bath shall have left or right drain. Bath whirlpool shall be Kohler Model K-1257-____-____.

MARIPOSA®

Technical Information

Fixture*:	
Bathing well:	
Basin area, bottom	50" (1207 mm) x 24" (610 mm)
Basin area, top	65" (1651 mm) x 27" (686 mm)
Weight	116 lbs (52.6 kg)
To overflow:	
Water depth	14" (356 mm)
Capacity	72 gal (272.5 L)
* Approximate measurements for comparison only.	

	V	Hz	A
1-speed pump	120	60	7
Heated surface	120	60	.5

Required Electrical Service

Dedicated circuit required, protected with a Class A Ground-Fault Circuit-Interrupter (GFCI):	
Pump/Control/Heated surface	120 V, 15 A, 60 Hz

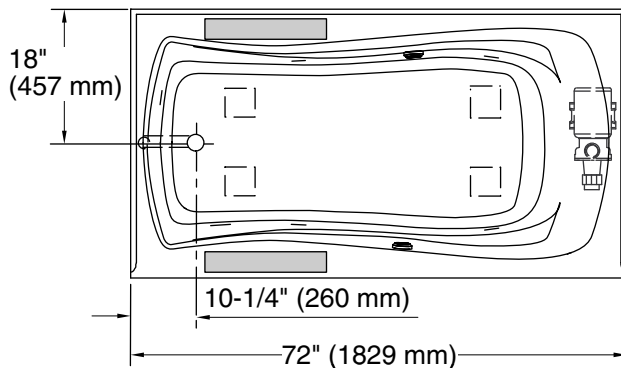
Installation Notes

Install this product according to the installation guide.

Floor support under the bath whirlpool must provide for a minimum of 41 lbs/square foot (200 kg/square meter) loading.

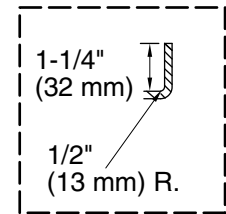
If installing a rim-mount faucet, make sure there is no interference with drain overflow and circulating system before drilling any holes. Consult local and national codes for minimum air gap requirements if installing a spout on the faucet deck.

Locate a GFCI-protected 120 V, 15 A, grounded duplex electrical outlet within 24" (610 mm) of the pump.

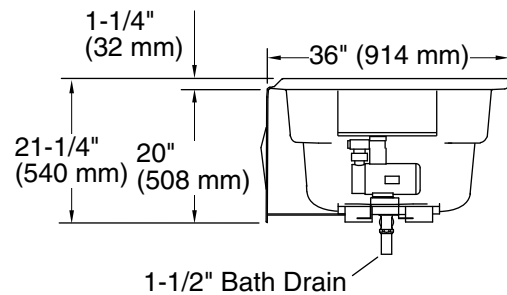
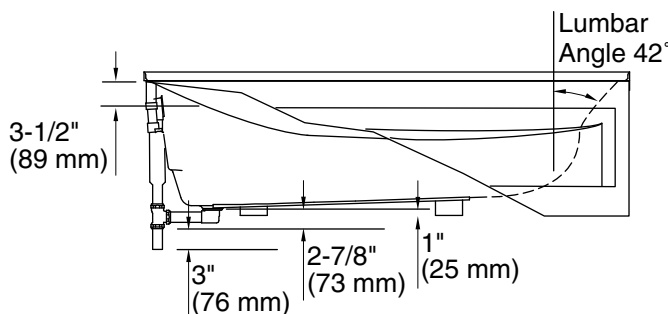


No change in measurements if connected with drain illustrated. (K-7166-AF)

■ Recommended Faucet Area



Integral Flange Detail



Product Diagram