

## Features

- 36-inch minimum base cabinet width.
- Double-equal bowls.
- 9" (229 mm) depth provides generous workspace.
- Three faucet holes.
- SilentShield® sound-absorption technology offers quieter performance.
- Includes installation hardware.

## Material

- Premium 18-gauge stainless steel.

## Installation

- Top-mount.

## Recommended Products/Accessories

- K-3129 Sink rack for Undertone® and Verse™ kitchen sinks
- K-8801 Sink Strainer (Qty 2)
- K-8813 Manual Sink Strainer with Tailpiece
- K-8814 Sink Strainer
- 1177161 Installation Clip Kit
- K-8799 Sink Strainer
- K-23726 Drain treatment
- K-23729 Stainless steel cleaner

## Optional Products/Accessories

- K-11352 Disposal Flange with Stopper

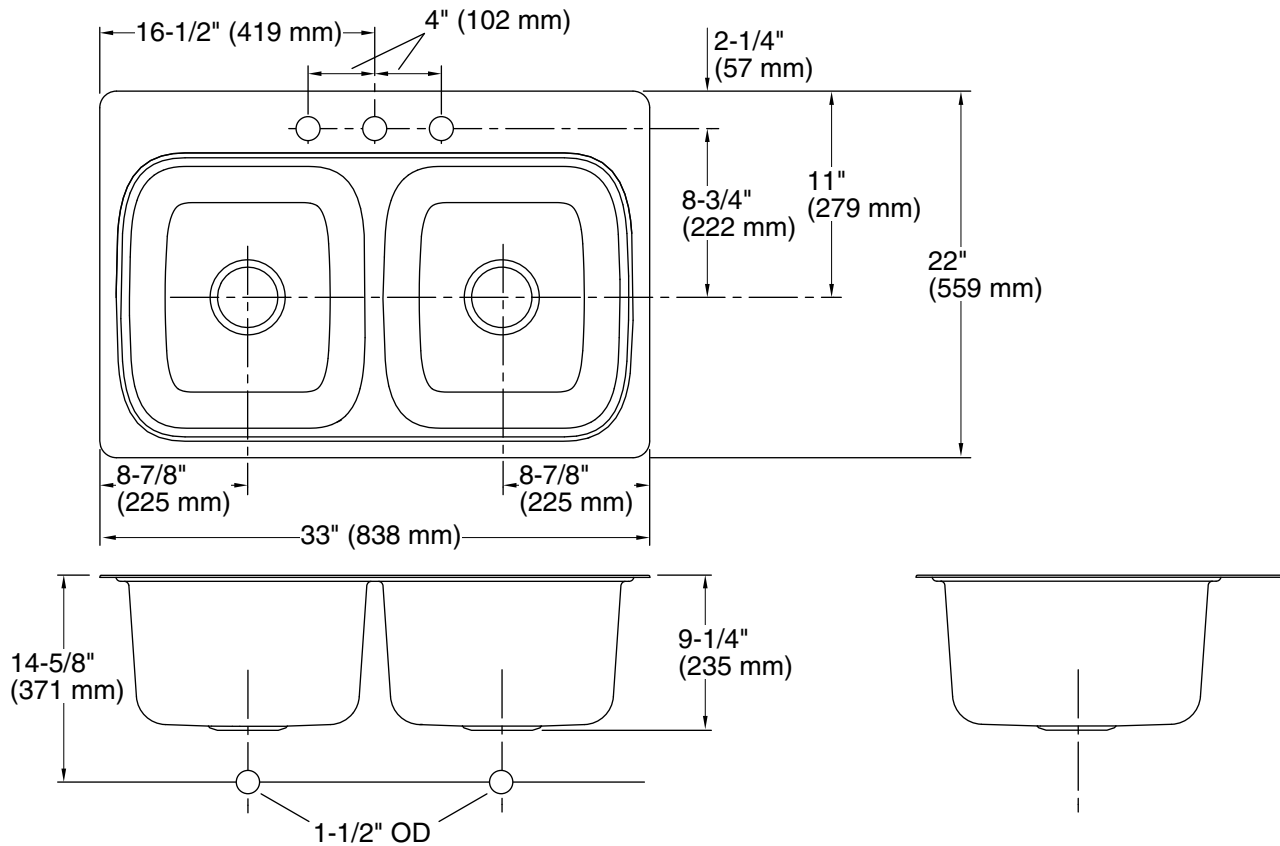


## Codes/Standards

ASME A112.19.3/CSA B45.4  
All applicable US Federal and State material regulations

## Lifetime Limited Warranty for KOHLER® Stainless Steel Sinks

See website for detailed warranty information.



## Technical Information

All product dimensions are nominal.

Bowl configuration: Double equal

Installation: Top-mount

Min. base cabinet width: 36" (914 mm)

Bowl area: Length: 14-3/16" (361 mm)  
Width: 15-11/16" (399 mm)  
Bowl depth: 9" (229 mm)  
Water depth: 9" (229 mm)

Faucet hole spacing: 4" (102 mm)

Drain hole: 3-5/8" (92 mm)

## Notes

Install this product according to the installation instructions.