

Features

- Includes valve trim, bath spout, showerarm with flange, and showerhead.
- Single deco lever handle controls both on/off activation and temperature setting
- Includes diverter bath spout with 1/2" NPT connection.
- Coordinates with Memoirs Stately faucets and accessories to complete your bathroom.
- Includes single function 2.5 gpm (9.5 l/min) showerhead.
- Pressure-balancing diaphragm technology maintains outlet temperature within +/-3 degrees Fahrenheit during water pressure fluctuations.
- Showerhead features MasterClean™ sprayface for easy cleaning.
- Premium material construction with metal handle ensures reliability and durability.
- Trim set requires valve to complete installation.
- THIS NEW K-TS461-4V TRIM REPLACES THE EXISTING K-T461-4V TRIM. THE NEW TRIM IS IDENTICAL AND INCLUDES TRIM ADAPTER KITS FOR BOTH RITE-TEMP K-304/K-2971 HIFLOW AND THE NEW K-8304 SERIES VALVE.
- Pressure-balancing diaphragm technology maintains outlet temperature within +/-3 degrees Fahrenheit during water pressure fluctuations.
- Provides temperature regulation and automatic anti-scald protection.
- Single handle controls both on/off activation and temperature setting.
- Includes faceplate with ADA-compliant metal Deco lever handle.
- Includes diverter bath spout with 1/2" NPT connection.
- Includes single-function 2.5 gpm (gallons per minute) showerhead.
- Showerhead features MasterClean™ sprayface for easy cleaning.
- Includes showerarm with flange.
- Coordinates with Memoirs faucets and accessories.
- Premium material construction with metal handle ensures reliability and durability.
- KOHLER finishes resist corrosion and tarnishing, exceeding industry durability standards.
- Trim set requires valve to complete installation (sold separately).

Installation

- Bath- or deck-mount.

Required Products/Accessories

K-304/K-P304 Series Rite-Temp® Valves



Codes/Standards





ASME A112.18.1/CSA B125.1
DOE - Energy Policy Act 1992

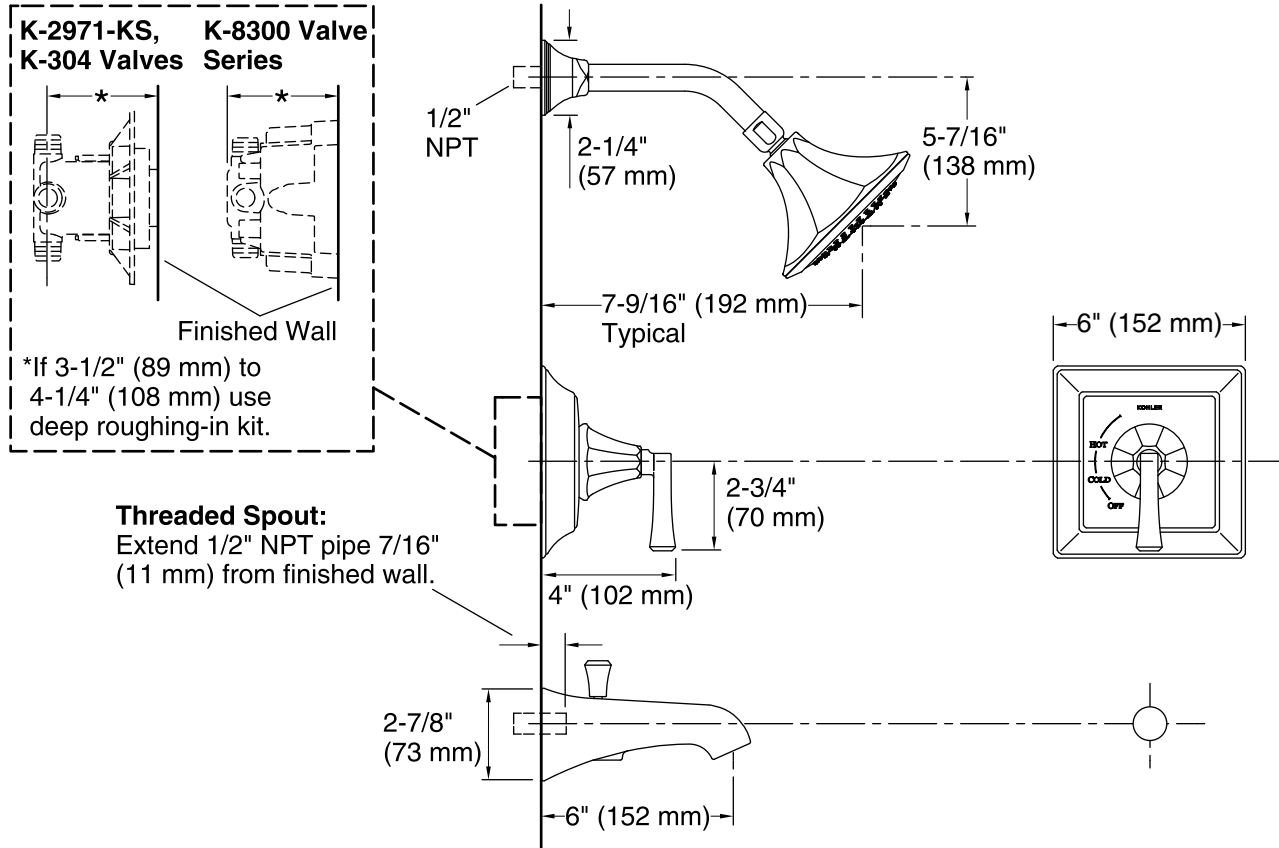
KOHLER® Faucet Lifetime Limited Warranty

See website for detailed warranty information.

Available Colors/Finishes

Color tiles intended for reference only.

Color	Code	Description
	CP	Polished Chrome
	BN	Vibrant® Brushed Nickel
	BV	Vibrant® Brushed Bronze
	2BZ	Oil-Rubbed Bronze



Technical Information

All product dimensions are nominal.

Showerhead/Body Spray:

Rated maximum flow: 2.5 gal/min (9.5 l/min)

Pressure: 80 psi (5.5 bar)

Notes

Install the product according to the installation guide.

NOTICE: Risk of product damage. Long screws for installing trim can damage the K-2971-KS valve. Consult the trim installation guide to verify if the thin wall installation kit (88526) is needed. Install straight pipe or tube drop of 7" (178 mm) to 18" (457 mm) with single elbow between the valve and the wall-mount spout. Elbow must be a 90 degree drop ell that is secured to rigid framing.