

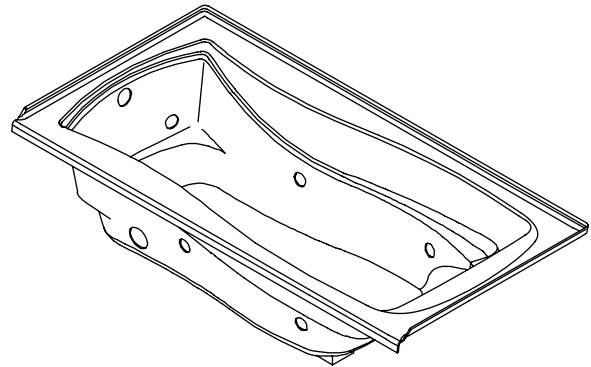
Features

- Acrylic
- Pump with air switch and grounding-type plug-in cord
- In-line heater
- Left or right drain
- Optional K-1283 removable apron
- Optional K-1491 removable bath pillow
- Drop-in installation [-H] or 3-side integral tile flange for alcove installation [-LH, -RH]
- 6 individually adjustable multi-directional hydro-message jets
- 72" (1829 mm) x 36" (914 mm) x 20" (508 mm)

BATH WHIRLPOOL WITH IN-LINE HEATER

K-1257-H

ALSO K-1257-LH, K-1257-RH



Codes/Standards Applicable

Specified model meets or exceeds the following:

- ANSI Z124.1.2
- ASME A112.19.7
- UL 1795
- ASTM E162
- ASTM E662

Colors/Finishes

- 0: White
- CP: Polished Chrome
- Other: Refer to Price Book for additional colors/finishes

Specified Model

Model	Description	Colors/Finishes	
K-1257-H	Bath whirlpool with in-line heater – drop-in rim style	<input type="checkbox"/> 0	<input type="checkbox"/> Other_____
K-1257-LH	Bath whirlpool with in-line heater – 3-side integral flange, left drain	<input type="checkbox"/> 0	<input type="checkbox"/> Other_____
K-1257-RH	Bath whirlpool with in-line heater – 3-side integral flange, right drain	<input type="checkbox"/> 0	<input type="checkbox"/> Other_____

Recommended Accessories

K-7166-AF	Adjustable pop-up drain – above or through-the-floor installation	<input type="checkbox"/> CP	<input type="checkbox"/> PB	<input type="checkbox"/> Other_____
-----------	---	-----------------------------	-----------------------------	-------------------------------------

Optional Accessories

K-1283	Removable apron	<input type="checkbox"/> 0	<input type="checkbox"/> Other_____
K-1491	Pillow	<input type="checkbox"/> 0	<input type="checkbox"/> Other_____
K-9696	Jet trim kit – metal finishes	<input type="checkbox"/> CP	<input type="checkbox"/> Other_____

Product Specification

The acrylic bath whirlpool shall be 72" (1829 mm) in length, 36" (914 mm) in width, and 20" (508 mm) in height. Product shall be for drop-in installation [-H] or 3-side integral tile flange for alcove installation [-LH, -RH]. Product shall have a left or right drain. Product shall have 6 individually adjustable multi-directional hydro-massage jets, a pump with air switch and grounding-type plug-in cord, and an in-line heater. Product shall have an optional K-1283 removable apron and an optional K-1491 removable bath pillow. Bath whirlpool shall be Kohler Model K-1257-____-____.

MARIPOSA®

Technical Information

Fixture*:	
Bathing well:	
Basin area, bottom	50" (1270 mm) x 24" (610 mm)
Basin area, top	65" (1651 mm) x 27" (686 mm)
Weight	115 lbs (52.2 kg)
To overflow:	
Water depth	14" (356 mm)
Capacity	72 gal (272.5 L)
* Approximate measurements for comparison only.	

Drop-in cut-out	70" (1778 mm) x 34" (864 mm)
-----------------	------------------------------

Pump:	V	Hz	A	
1-speed	120	60	7.5	
Heater:	kw	V	Hz	A
	1.5	120	60	12.5

Minimum access panel for pump/control	
20" (508 mm) W x 15" (381 mm) H	required

Required Electrical Services

Two dedicated circuits required, each protected with Class A Ground-Fault Circuit-Interrupter (GFCI):	
Pump/control	120 VAC, 15 A, 60 Hz
Heater	120 VAC, 15 A, 60 Hz
Locate the outlet behind the whirlpool and within 24" (610 mm) of the pump and heater.	

Installation Notes

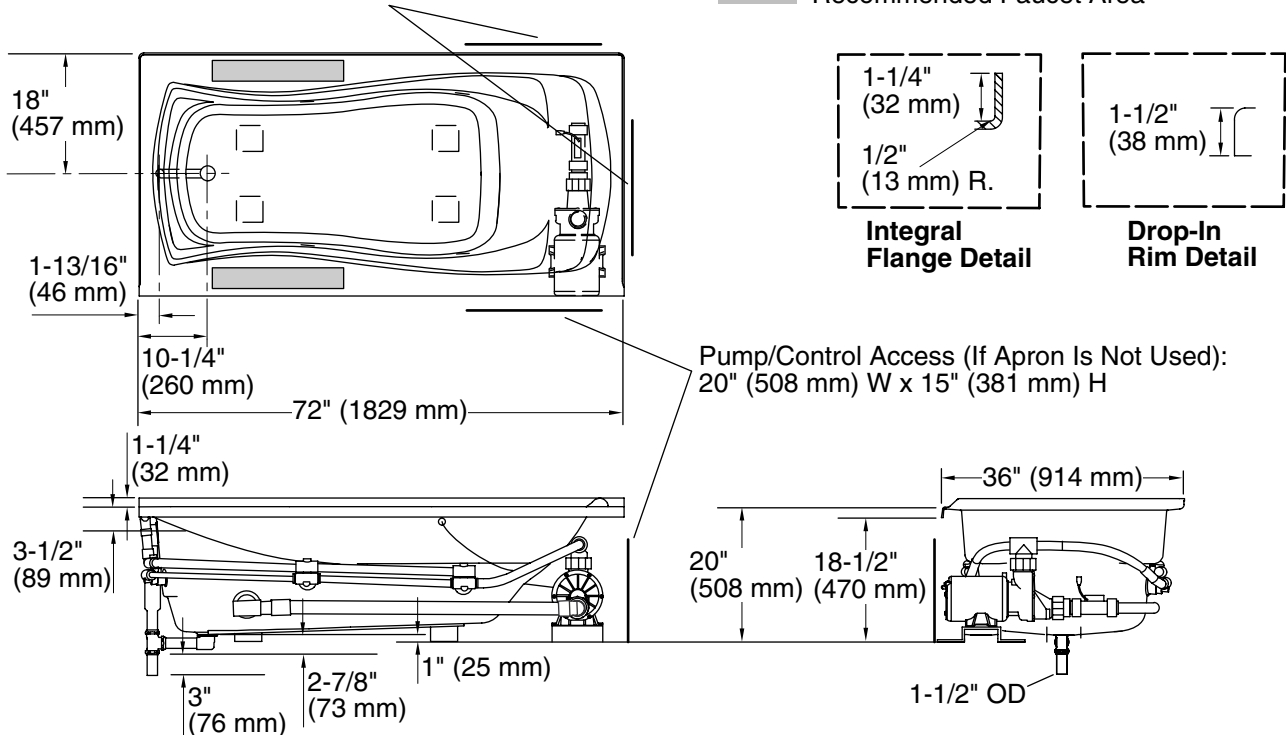
Install this product according to the installation guide.

Floor support under whirlpool must provide for a minimum of 41 lbs/square foot (201 kg/square meter) loading.

The apron must be installed before the finished floor and wall materials are installed.

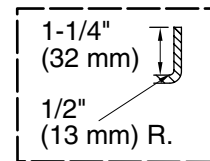
If installing a rim-mount faucet, make sure there is no interference with drain overflow and circulating system before drilling any holes. Consult local and national codes for minimum air gap requirements if installing a spout on the faucet deck.

Pump/Control Access (If Apron Is Not Used):
20" (508 mm) W x 15" (381 mm) H

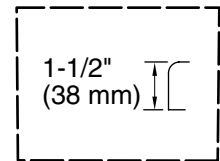


No change in measurements if connected with drain illustrated. (K-11677 or K-11677M)

Recommended Faucet Area



Integral Flange Detail



Drop-In Rim Detail

Product Diagram